



945 East 11<sup>th</sup> Avenue Tampa, FL 33605

Phone: (813) 984-0125

Contact: Sales@pyramidimaging.com

<https://pyramidimaging.com>

# GOYO OPTICAL

[www.GoyoLenses.com](http://www.GoyoLenses.com)

[Info@GoyoLenses.com](mailto:Info@GoyoLenses.com)

1-630-566-0580

TECHNICAL SPECS

## GM6HR-K MEGA 6 LENS KIT



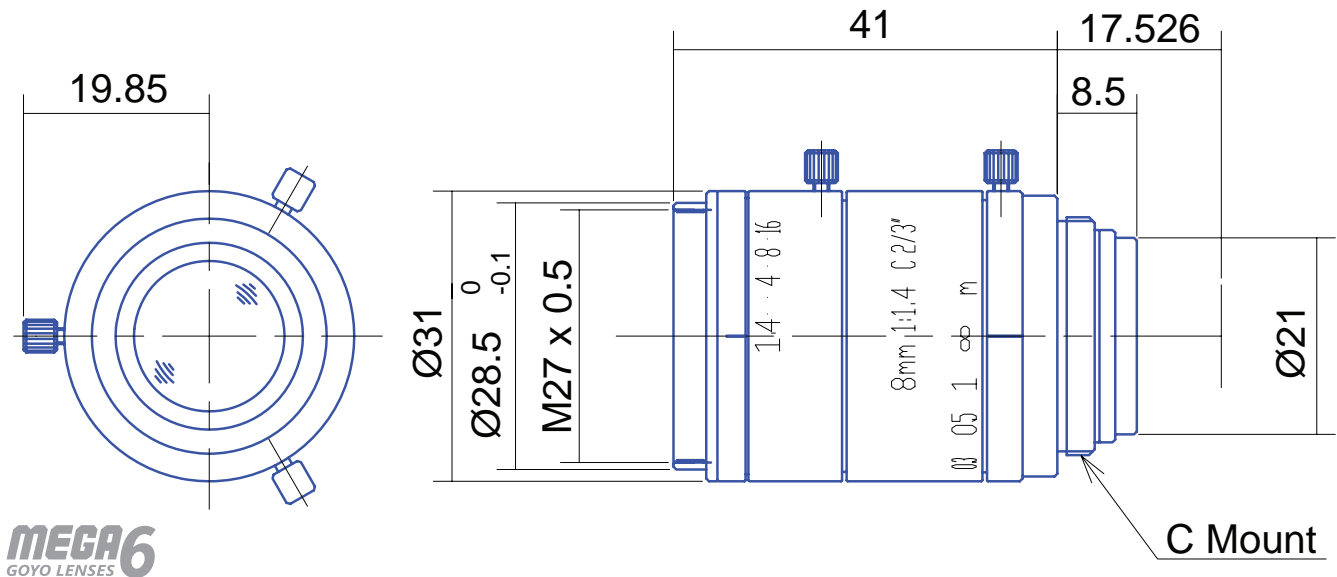
**6 MEGAPIXEL 2/3" FORMAT LENS KIT**

### KIT INCLUDES:

Part Number	Lens Format	Focal Length	Iris Range	MOD (mm)
<b>GM6HR38014MCN</b>	2/3"	8mm	f/1.4-16	100
<b>GM6HR31214MCN</b>	2/3"	12mm	f/1.4-16	150
<b>GM6HR31614MCN</b>	2/3"	16mm	f/1.4-16	200
<b>GM6HR32514MCN</b>	2/3"	25mm	f/1.4-16	200

6 MP 2/3" Fixed-Focal

## GM6HR38014MCN

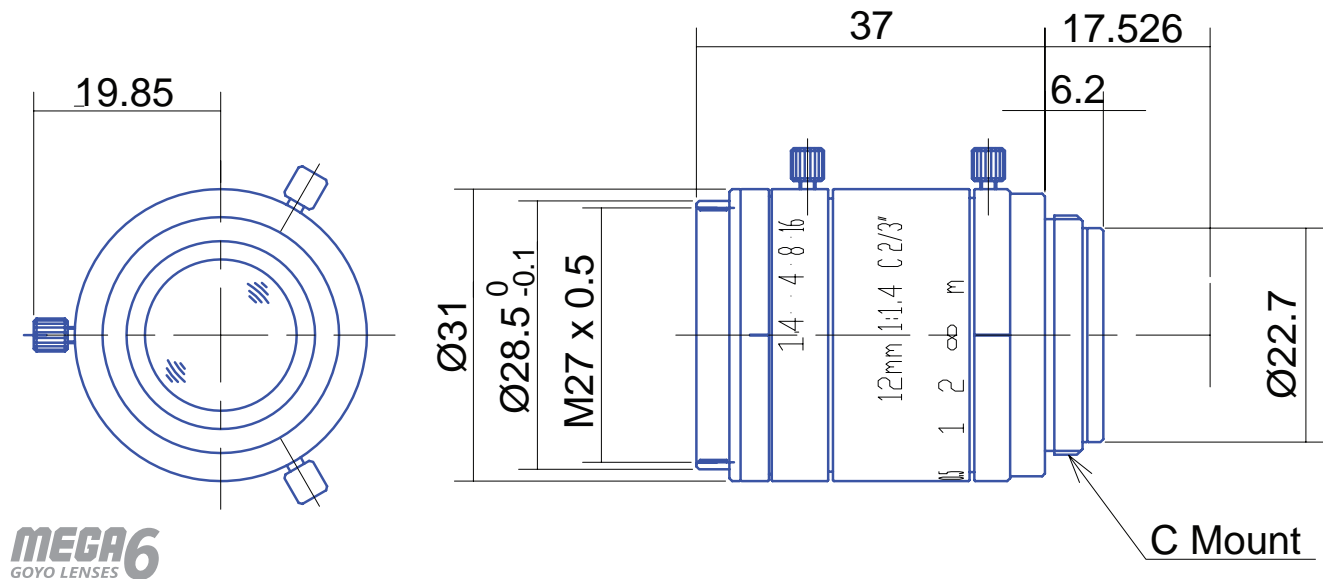


**MEGA6**  
GOYO LENSES

Part No.	GM6HR38014MCN
Focal Length	8mm
Iris Range	f/1.4-16
Lens Format	2/3"
Resolution	170 lp/mm
MOD	100mm
Mount	C
Filter Thread	M27 x P0.5
Angle of View (HxVxD) 2/3"	56.6° x 43.95° x 67.22°
Dimension (DxL)	Ø31 x 41

6 MP 2/3" Fixed-Focal

## GM6HR31214MCN

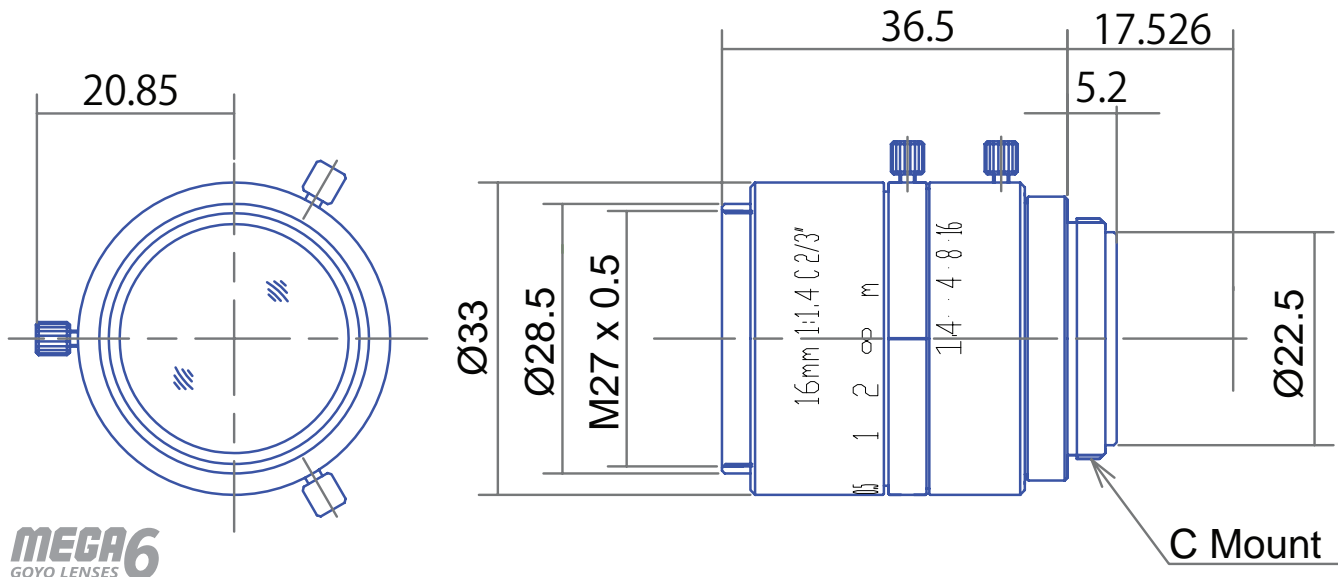


**MEGA6**  
GOYO LENSES

Part No.	GM6HR31214MCN
Focal Length	12mm
Iris Range	f/1.4-16
Lens Format	2/3"
Resolution	170 lp/mm
MOD	150mm
Mount	C
Filter Thread	M27 x P0.5
Angle of View (HxVxD) 2/3"	38.25° x 29.14° x 46.71°
Dimension (DxL)	Ø31 x 37

6 MP 2/3" Fixed-Focal

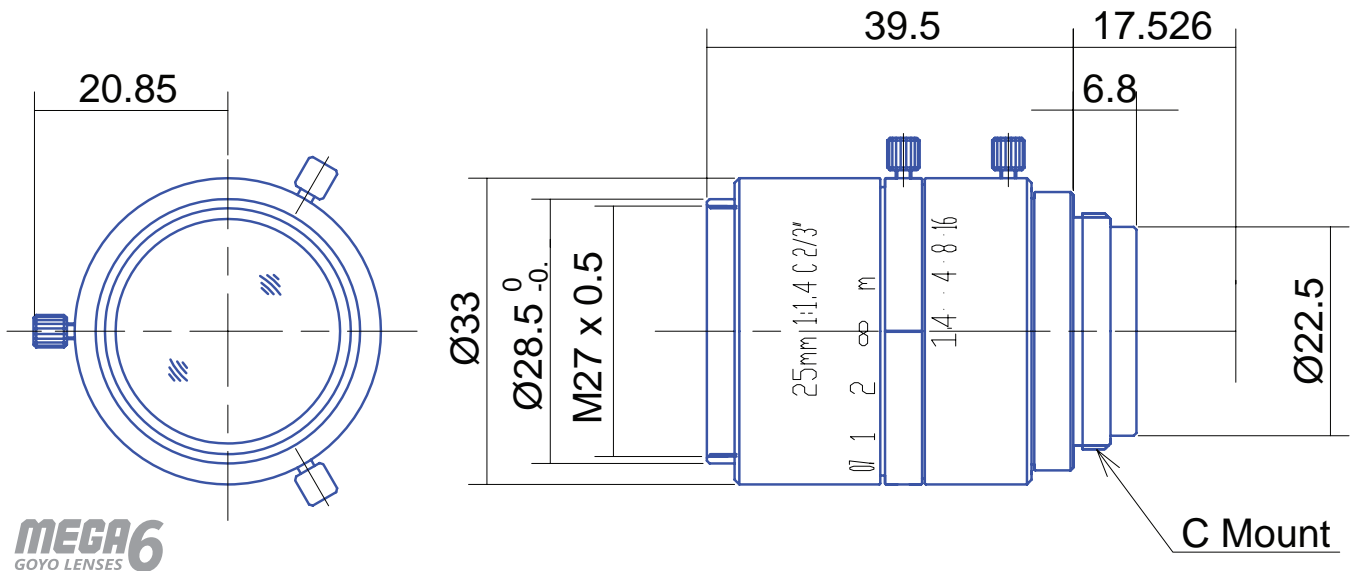
## GM6HR31614MCN



Part No.	GM6HR31614MCN
Focal Length	16mm
Iris Range	f/1.4-16
Lens Format	2/3"
Resolution	170 lp/mm
MOD	200mm
Mount	C
Filter Thread	M27 x P0.5
Angle of View (HxVxD) 2/3"	30.3° x 16.05° x 37.33°
Dimension (DxL)	Ø33 x 36.5

6 MP 2/3" Fixed-Focal

## GM6HR32514MCN



**MEGA6**  
GOYO LENSES

Part No.	GM6HR32514MCN
Focal Length	25mm
Iris Range	f/1.4-16
Lens Format	2/3"
Resolution	170 lp/mm
MOD	200mm
Mount	C
Filter Thread	M27 x P0.5
Angle of View (HxVxD) 2/3"	19.57° x 14.75° x 24.3°
Dimension (DxL)	Ø33 x 39.5



945 East 11<sup>th</sup> Avenue Tampa, FL 33605

Phone: (813) 984-0125

Contact: Sales@pyramidimaging.com

<https://pyramidimaging.com>