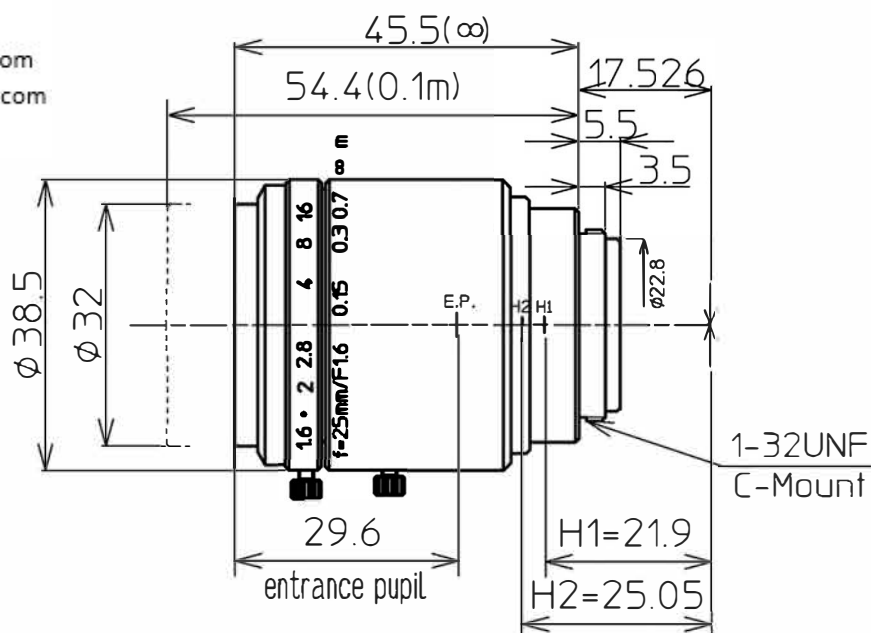


Pyramid Imaging, Inc.
 945 East 11th Avenue
 Tampa, FL 33605
 www.pyramidimaging.com
 sales@pyramidimaging.com
 +1 813 984 0125



Ø11 2/3inch F1.6/25mm C				
FOCAL LENGTH		f=25mm		
MAX. DIAMETER (RATIO)		F=1:1.6~16		
ELEMENT		7 GROUPS 9 ELEMENTS		
PICTURE SIZE		6.6x8.8mm	4.8x6.4mm	3.6x4.8mm
ANGLE	VER. ANGLE	15.0°	10.9°	8.2°
	HOR. ANGLE	19.9°	14.6°	10.9°
	DIA. ANGLE	24.8°	18.2°	13.7°
DISTORTION (TV)		-0.01%	-0.02%	0.00%
SHOOTING RANGE AT MINIMUM FOCUS DISTANCE	VER.	26.3mm	19.2mm	14.3mm
	HOR.	35.1mm	25.6mm	19.2mm
	DIA.	43.9mm	32.0mm	23.9mm
MINIMUM FOCUS DISTANCE		0.1m		
FLANGE BACK		17.526mm in air		
BACK FOCUS		11.2mm in air		
FILTER SCREW SIZE		M30.5x0.5		
FRONT/REAR EFFECTIVE DIA.		FRONT Ø20.0mm		REAR Ø13.8mm
MOUNT		C-MOUNT		
EXIT PUPIL		-46.6mm		
TEMPERATURE RANGE		-10~+50°C		
STORAGE TEMPERATURE RANGE		-20~+60°C		
RESOLUTION CENTER/CORNER		Center 160lp/mm Corner 125lp/mm		
WEIGHT		140 g		

NOTE: Specifications and availability are subject to change without notice
 注) 本仕様については、予告なしに変更する場合があります。



尺度	1/1	承認	八木	製図	大口
機種名	2/3(Ø11) F1.6 f=25mm				
機種番	LM25JC5M2				
2012.03.22	作成年月日				