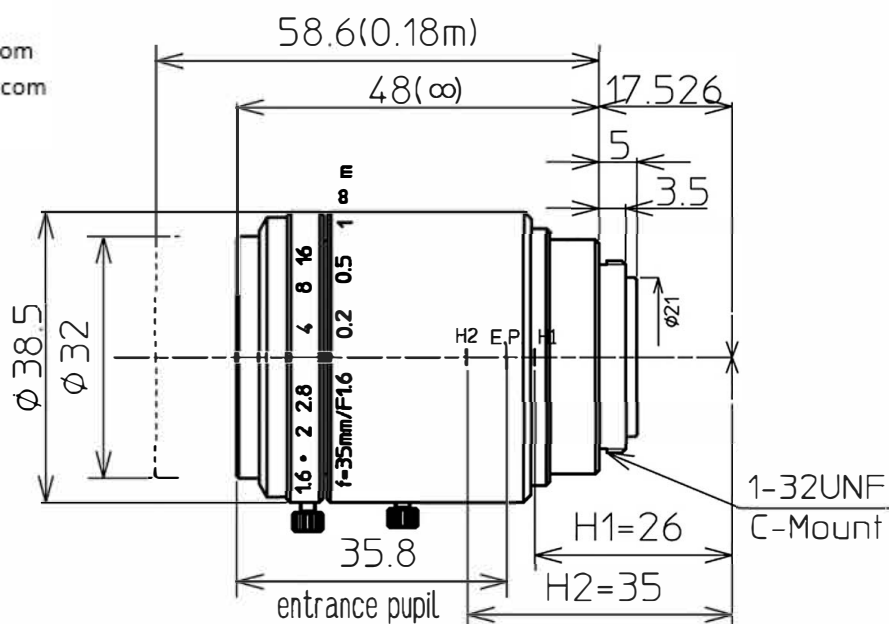


Pyramid Imaging, Inc.  
 945 East 11<sup>th</sup> Avenue  
 Tampa, FL 33605  
 www.pyramidimaging.com  
 sales@pyramidimaging.com  
 +1 813 984 0125



Ø11 2/3inch F1.6/35mm C				
FOCAL LENGTH		f=35mm		
MAX. DIAMETER (RATIO)		F=1:1.6~16		
ELEMENT		7 GROUPS 9 ELEMENTS		
PICTURE SIZE		6.6x8.8mm	4.8x6.4mm	3.6x4.8mm
ANGLE	VER. ANGLE	10.8°	7.8°	5.9°
	HOR. ANGLE	14.3°	10.4°	7.8°
	DIA. ANGLE	17.8°	13.0°	9.8°
DISTORTION (TV)		-0.03%	0.00%	0.00%
SHOOTING RANGE AT MINIMUM FOCUS DISTANCE	VER.	31.6mm	22.9mm	17.2mm
	HOR.	42.1mm	30.6mm	22.9mm
	DIA.	52.7mm	38.3mm	28.7mm
MINIMUM FOCUS DISTANCE		0.18m		
FLANGE BACK		17.526mm in air		
BACK FOCUS		12.2mm in air		
FILTER SCREW SIZE		M30.5x0.5		
FRONT/REAR EFFECTIVE DIA.		FRONT Ø23.5mm		REAR Ø14.5mm
MOUNT		C-MOUNT		
EXIT PUPIL		-39.2mm		
TEMPERATURE RANGE		-10~+50°C		
STORAGE TEMPERATURE RANGE		-20~+60°C		
RESOLUTION CENTER/CORNER		Center 160lp/mm Corner 125lp/mm		
WEIGHT		150 g		

NOTE: Specifications and availability are subject to change without notice  
 注) 本仕様については、予告なしに変更する場合があります。



		尺度	1/1	承認	八木	製図	大口
		機種名	2/3(Ø11) F1.6 f=35mm				
		機種番	LM35JC5M2				
2011.09.16	作成年月日						