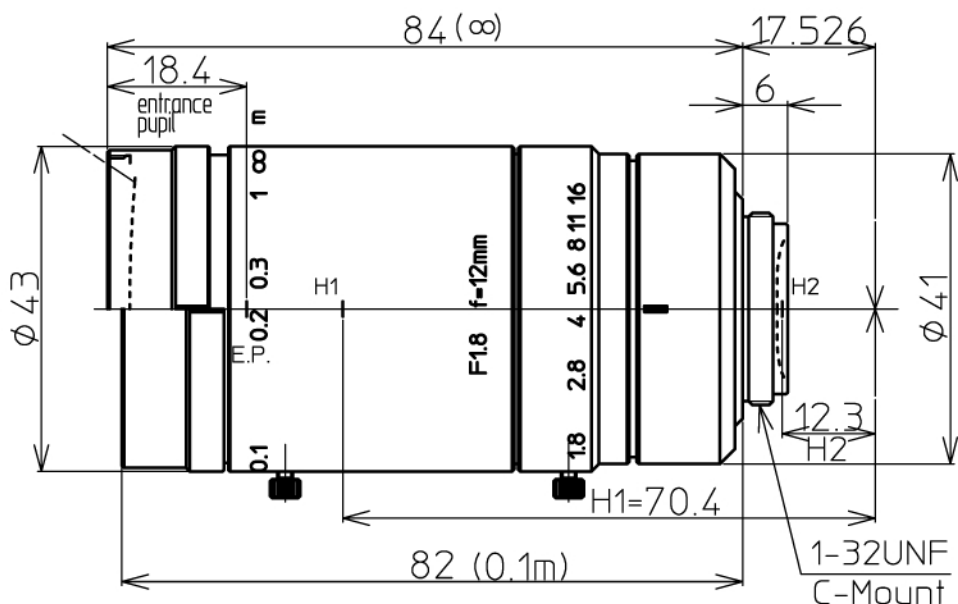
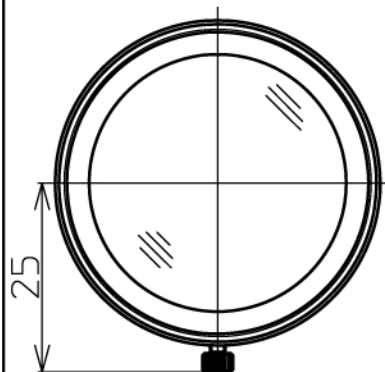


Pyramid Imaging



Ø16 1.8/12mm C		
FOCAL LENGTH		f=12mm
MAX. DIAMETER (RATIO)		F=1:1.8~16
ELEMENT		10 GROUPS 12 ELEMENTS
PICTURE SIZE		12.8x9.6mm
ANGLE	VER. ANGLE	43.1°
	HOR. ANGLE	55.9°
	DIA. ANGLE	67.3°
DISTORTION (TV)		0.55%
SHOOTING RANGE AT	VER.	93mm
	HOR.	125 mm
	DIA.	157mm
MINIMUM FOCUS DISTANCE		0.1m
FLANGE BACK		17.526mm in air
BACK FOCUS		13.0mm in air
FILTER SCREW SIZE		M40.5x0.5
FRONT/REAR EFFECTIVE DIA.		FRONT Ø34mm REAR Ø16mm
MOUNT		C-MOUNT
EXIT PUPIL		-31.8mm
TEMPERATURE RANGE		-10~+50° C
STORAGE TEMPERATURE RANGE		-20~+60° C
RESOLUTION CENTER/CORNER		CENTER 160L/mm CORNER 120L/mm
LENS COATING		WIDE BAND MULTI COATING
WEIGHT		g

NOTE: Specifications and availability are subject to change without notice
 注) 本仕様については、予告なしに変更する場合があります。



		尺 度	1/1	承 認	八木	製 図	大口
		LM12SC					
		1" F1.8 f=12mm					
2013.5.8	作成年月日						