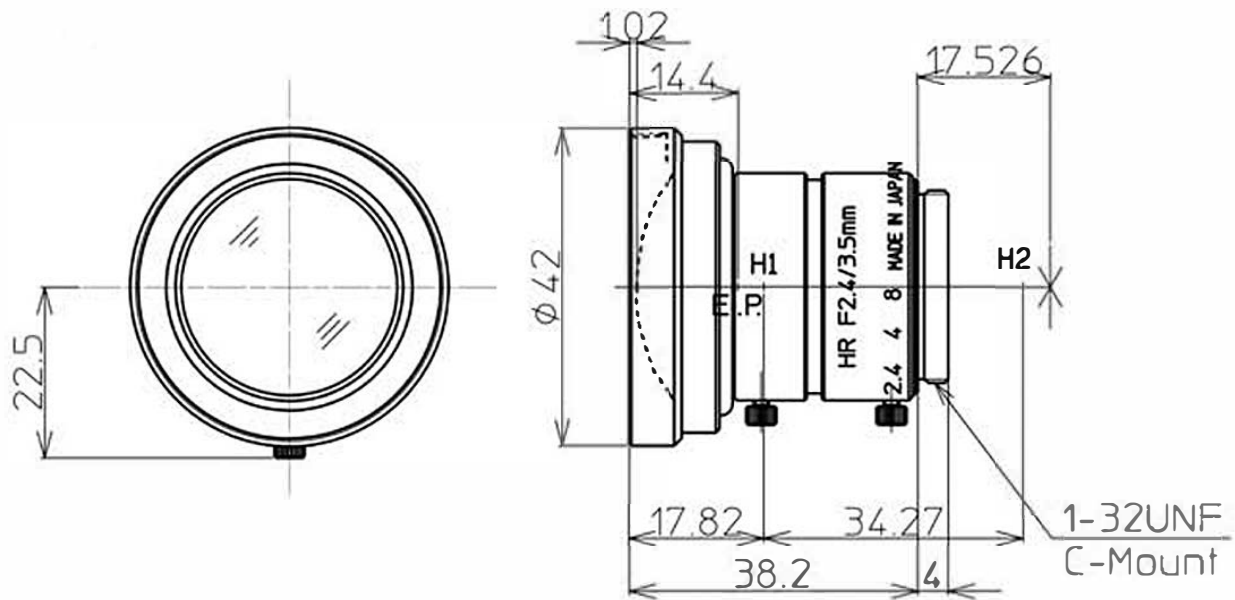


H1 Principal Point 1
H2 Principal Point 2
E.P. Entrance Pupil



FOCAL LENGTH	f=3.5mm		
MAX. DIAMETER (RATIO)	F=1:2.4~16		
PICTURE SIZE	1/1.8"	1/2"	1/3"
ANGLE	5.4x7.2	4.8x6.4	3.6x4.8
VER. ANGLE	73.8°	66.9°	52.7°
HOR. ANGLE	89°	82.4°	66.9°
F.O.V. AT M.O.D.	196.8mmx147.6mm		
DISTORTION (TV)	-0.5%	0.4%	-0.2%
MINIMUM FOCUS DISTANCE	0.10m		
FLANGE BACK	17.526mm in air		
BACK FOCUS	10.2mm in air		
FILTER SCREW SIZE	M40.5x0.5		
FRONT/REAR EFFECTIVE DIA.	ø28.0mm / ø10.0mm		
MOUNT	C-MOUNT		
EXIT PUPIL	67.7mm		
RESOLUTION CENTER/CORNER	120lp/mm / 100lp/mm		
WEIGHT	85g		



Pyramid Imaging

945 East 11th Avenue Tampa, FL 33605
sales@pyramidimaging.com
www.pyramidimaging.com
813-786-3785

		2009.10.7
		1/1.8" 3.5mm F2.4
		LM3NC1M