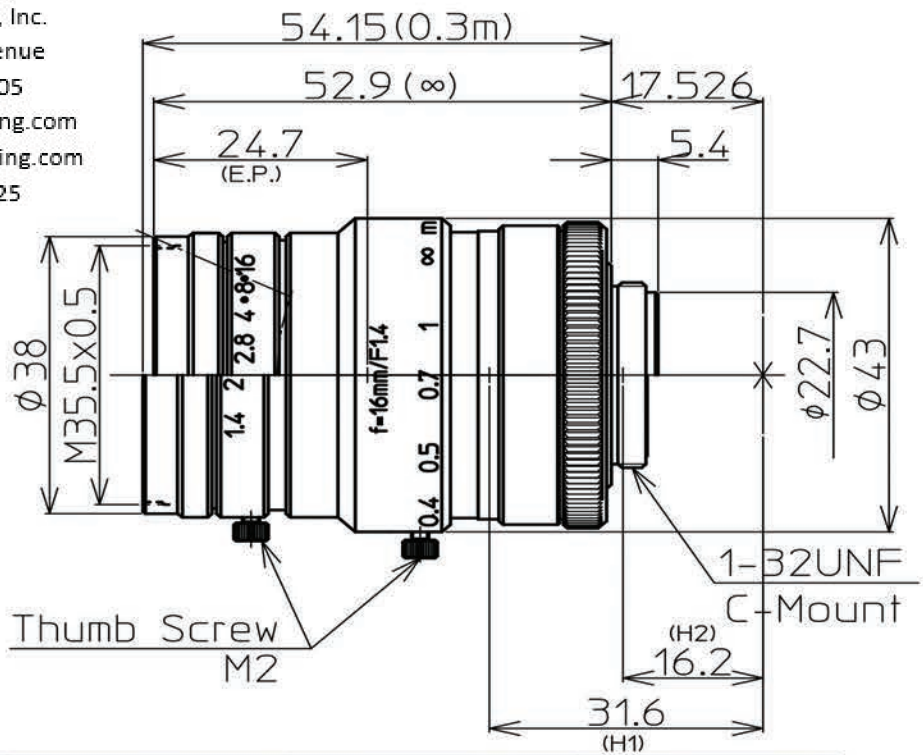
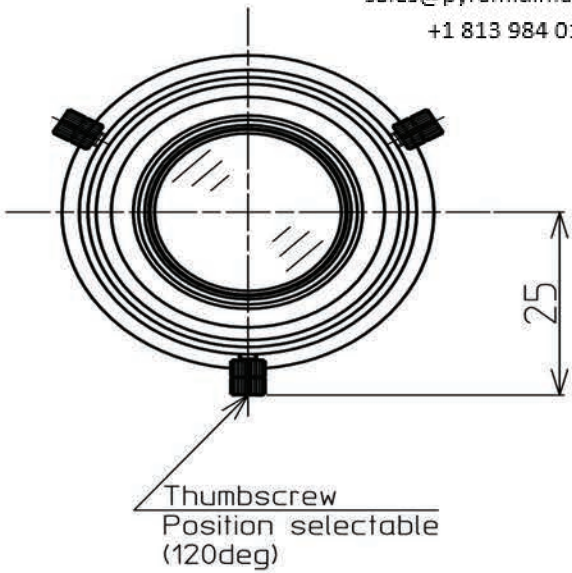


Pyramid Imaging, Inc.  
 945 East 11<sup>th</sup> Avenue  
 Tampa, FL 33605  
 www.pyramidimaging.com  
 sales@pyramidimaging.com  
 +1 813 984 0125



1" 1.4/16mm C		1"	2/3"	1/1.8"
FOCAL LENGTH		f=16mm		
MAX. DIAMETER (RATIO)		F=1 : 1.4~16		
PICTURE SIZE		9.6x12.8mm	6.6x8.8mm	5.4x7.2mm
ANGLE	VER. ANGLE	33.6°	23.2°	19.0°
	HOR. ANGLE	44.3°	30.8°	25.3°
	DIA. ANGLE	54.3°	38.3°	31.5°
DISTORTION (TV)		-1.0%		
SHOOTING RANGE AT MINIMUM FOCUS DISTANCE	VER.	186.2mm	126.8mm	103.4mm
	HOR.	251.5mm	170.3mm	138.6mm
	DIA.	318.3mm	214.6mm	174.3mm
MINIMUM FOCUS DISTANCE		0.3m		
FLANGE BACK		17.526mm in air		
BACK FOCUS		12.6mm in air		
FILTER SCREW SIZE		M35.5x0.5		
FRONT/REAR EFFECTIVE DIA.		FRONT φ21.5mm		REAR φ18.8mm
MOUNT		C-MOUNT		
EXIT PUPIL		-128.5mm		
TEMPERATURE RANGE		-10~+50° C		
STORAGE TEMPERATURE RANGE		-20~+60° C		
RESOLUTION CENTER/CORNER		CENTER 120lp/mm		CORNER 80lp/mm
WEIGHT		150 g		

NOTE: Specifications and availability are subject to change without notice



		1/1	HR977SW
		1" F1.4 f=16mm	
2015.7.30		LM16HC-SW	
2014.12.25			
2013.4.15			