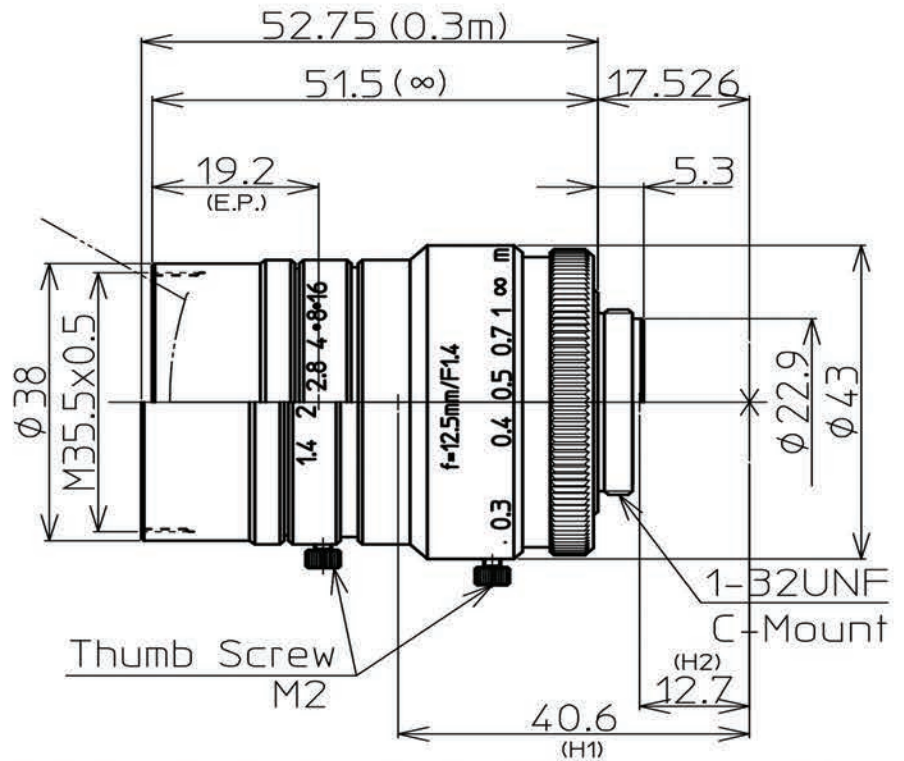
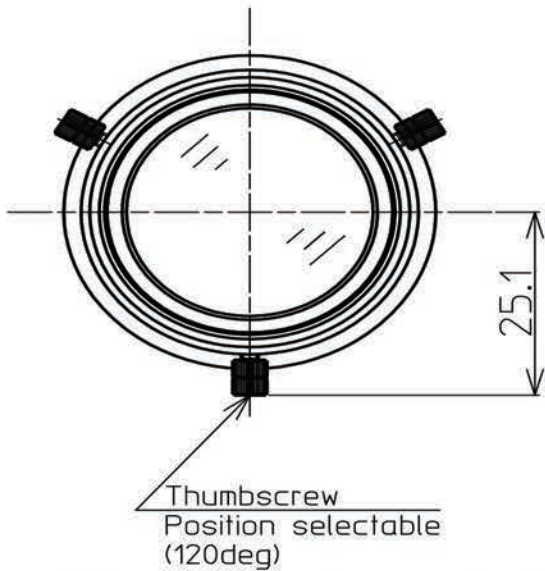


945 East 11<sup>th</sup> Avenue  
 Tampa, FL 33605  
 www.pyramidimaging.com  
 sales@pyramidimaging.com  
 +1 813 984 0125



1" 1.4/12.5mm C		1"	2/3"	1/1.8"
FOCAL LENGTH		f=12.5mm		
MAX. DIAMETER (RATIO)		F=1 : 1.4~16		
PICTURE SIZE		9.6x12.8mm	6.6x8.8mm	5.4x7.2mm
ANGLE	VER. ANGLE	42.5°	29.5°	24.2°
	HOR. ANGLE	55.6°	39.1°	32.1°
	DIA. ANGLE	67.6°	48.3°	39.9°
DISTORTION (TV)		-1.58%		
SHOOTING RANGE AT MINIMUM FOCUS DISTANCE	VER.	243.5mm	165.2mm	134.6mm
	HOR.	330.6mm	222.4mm	180.6mm
	DIA.	420.6mm	281.3mm	227.7mm
MINIMUM FOCUS DISTANCE		0.3m		
FLANGE BACK		17.526mm in air		
BACK FOCUS		12.6mm in air		
FILTER SCREW SIZE		M35.5x0.5		
FRONT/REAR EFFECTIVE DIA.		FRONT $\phi$ 28.1mm		REAR $\phi$ 17.5mm
MOUNT		C-MOUNT		
EXIT PUPIL		-45.9mm		
TEMPERATURE RANGE		-10~+50° C		
STORAGE TEMPERATURE RANGE		-20~+60° C		
RESOLUTION CENTER/CORNER		CENTER 120lp/mm		CORNER 80lp/mm
WEIGHT		160 g		

NOTE: Specifications and availability are subject to change without notice



		1/1	HR976SW
		1" F1.4 f=12.5mm	
2015.7.30		LM12HC-SW	
2014.12.25			
2013.4.15			