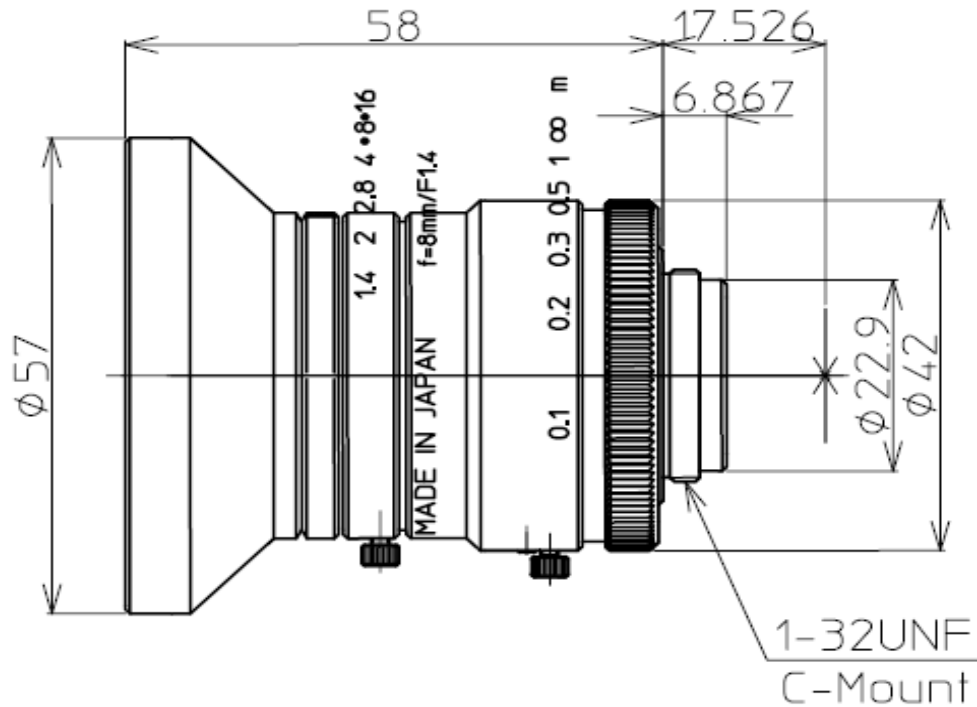


LM8HC



Model	LM8HC
Focal Length (mm)	8
Image Size (mm)	1" ($\phi 16$)
Iris Range (F-Stop)	F1.4~F16
Focusing Range (m)	0.1~ ∞
Angle of View (degrees)	79.7X63.0
1"	58.3X44.7
2/3"	43.4X32.9
Resolution (Center, Corner)	120lp/mm, 80lp/mm
Distortion (TV)	-1.2%
Flange Back in Air (mm)	17.526
Back Focus in Air (mm)	11.2
Front/Rear Effective Dia.	$\phi 37.4$ mm $\phi 17.5$ mm
Mount	C-Mount
Filter Size (mm)	M55XP0.75
Size (mm)	$\phi 57 \times 58$
Weight (g)	200
Temperature Range	$-10^{\circ}\text{C} \sim 45^{\circ}\text{C}$