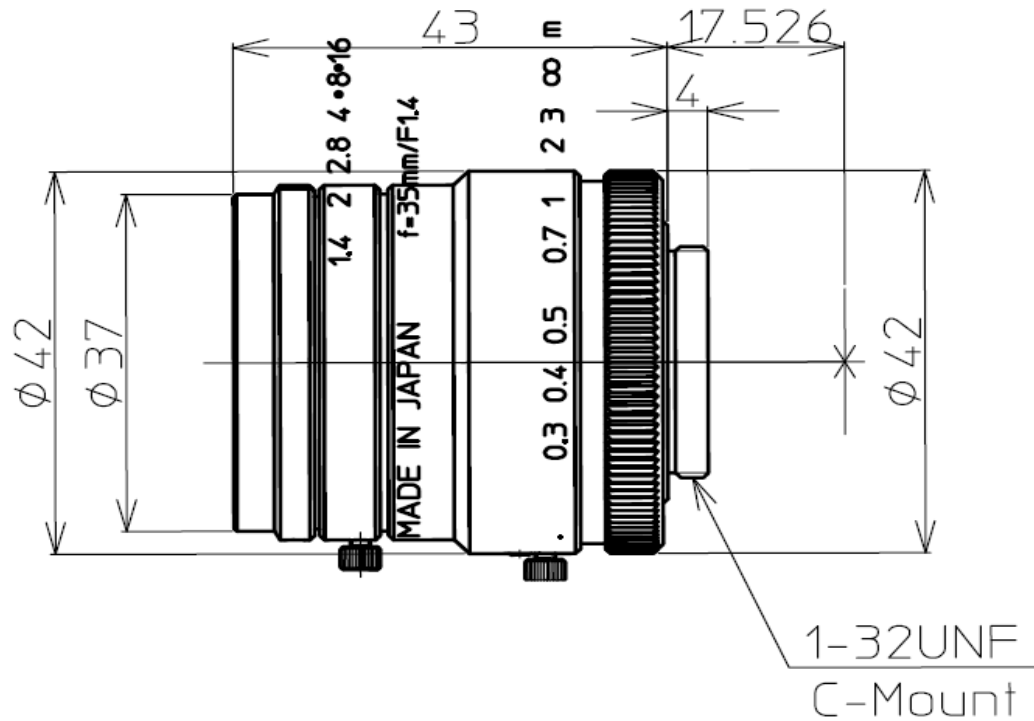


LM35HC



Model	LM35HC
Focal Length (mm)	35
Image Size (mm)	1" ($\phi 16$)
Iris Range (F-Stop)	F1.4~F16
Focusing Range (m)	0.3~ ∞
Angle of View (degrees)	20.9X15.8
1"	
2/3"	14.4X10.8
1/2"	10.5X7.8
Resolution (Center, Corner)	120lp/mm, 80lp/mm
Distortion (TV)	-0.5%
Flange Back in Air (mm)	17.526
Back Focus in Air (mm)	16.8
Front/Rear Effective Dia.	$\phi 24.3$ mm $\phi 19.1$ mm
Mount	C-Mount
Filter Size (mm)	M35.5XP0.5
Size (mm)	$\phi 42 \times 43$
Weight (g)	130
Temperature Range	$-10^{\circ}\text{C} \sim 45^{\circ}\text{C}$