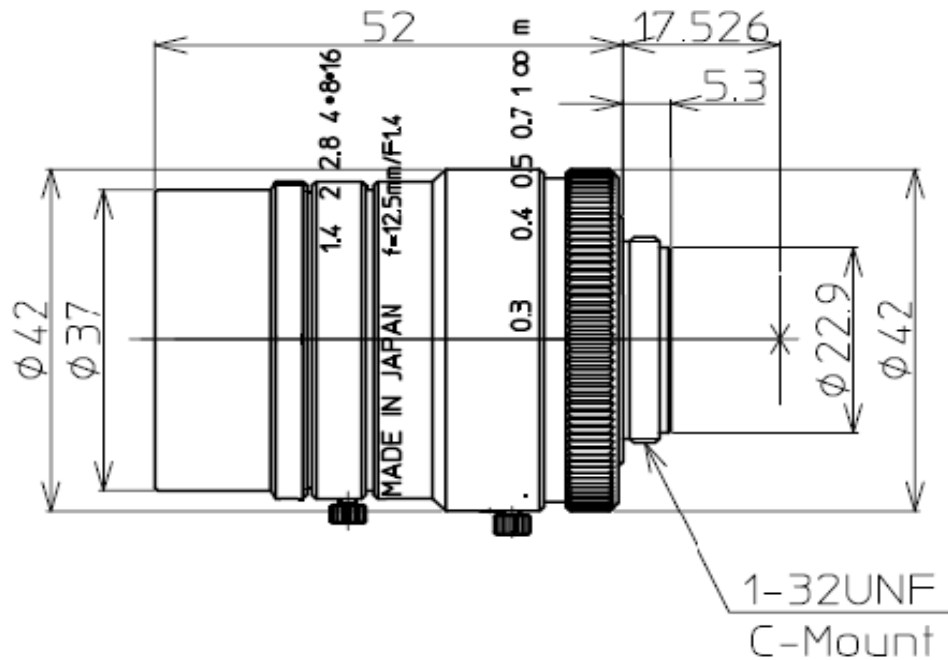


LM12HC



Model	LM12HC
Focal Length (mm)	12.5
Image Size (mm)	1" ($\phi 16$)
Iris Range (F-Stop)	F1.4~F16
Focusing Range (m)	0.3~ ∞
Angle of View (degrees)	55.6X42.5
1"	
2/3"	39.1X29.5
1/2"	28.7X21.6
Resolution (Center, Corner)	120lp/mm, 80lp/mm
Distortion (TV)	-1.5%
Flange Back in Air (mm)	17.526
Back Focus in Air (mm)	12.6
Front/Rear Effective Dia.	$\phi 28.1$ mm $\phi 17.5$ mm
Mount	C-Mount
Filter Size (mm)	M35XP0.5
Size (mm)	$\phi 42$ X52
Weight (g)	150
Temperature Range	-10°C ~ 45°C