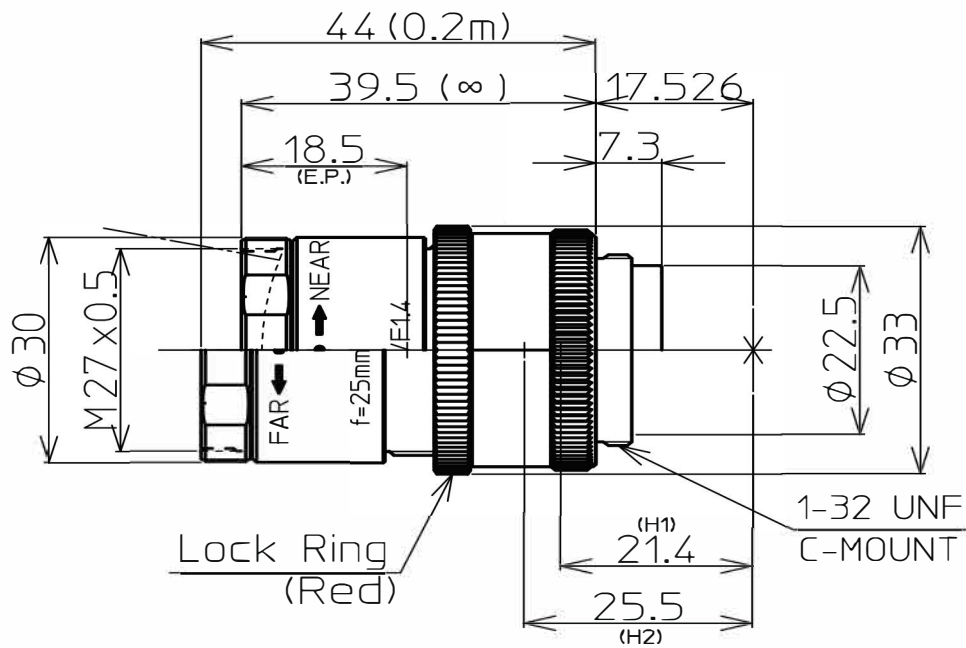


Pyramid Imaging, Inc.
 945 East 11th Avenue
 Tampa, FL 33605
 www.pyramidimaging.com
 sales@pyramidimaging.com
 +1 813 984 0125



2/3" 1.4/25mm C	2/3"	1/1.8"	1/2"
FOCAL LENGTH	f=25mm		
MAX. DIAMETER (RATIO)	F=1:1.4,4,8,16		
ELEMENT	6 8		
PICTURE SIZE	6.6x8.8mm	5.4x7.2	4.8x6.4
ANGLE	VER. ANGLE	14.8°	12.1°
	HOR. ANGLE	19.6°	16.1°
	DIA. ANGLE	24.3°	20.0°
DISTORTION (TV)	-0.04%		
SHOOTING RANGE AT	VER.	53.3 mm	43.4
	HOR.	71.1 mm	57.9
	DIA.	89.0 mm	72.4
MINIMUM FOCUS DISTANCE	0.2m		
FLANGE BACK	17.526 mm in air		
BACK FOCUS	11.7mm in air (Mechanical 10.2mm in air)		
FILTER SCREW SIZE	M27x0.5		
FRONT/REAR EFFECTIVE DIA.	FRONT Ø24.0mm		REAR Ø12.8mm
MOUNT	C-MOUNT		
EXIT PUPIL	-77.0mm		
TEMPERATURE RANGE	-10~+50°C		
STORAGE TEMPERATURE RANGE	-20~+60°C		
RESOLUTION CENTER/CORNER	CENTER 120lp/mm		CORNER 100lp/mm
WEIGHT	83g		

NOTE: Specifications and availability are subject to change without notice.



		1/1	
		2/3" F1.4 f=25mm	
2014.12.26		LM25JCM-V	
2014.6.9			