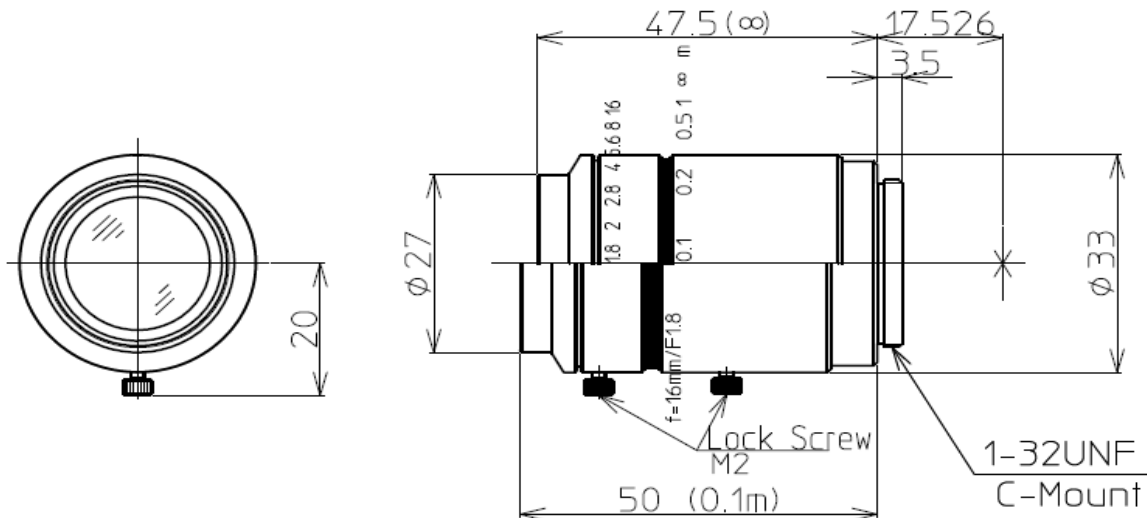


LM16JC10M

Pyramid Imaging



2/3" 1.8/16mm C		1/2"	1/3"
FOCAL LENGTH	f=16mm		
MAX. DIAMETER (RATIO)	F=1:1.8~16		
ELEMENT	8 ELEMENTS 10 GROUPS		
PICTURE SIZE	6.6x8.8mm	4.8x6.4	3.6x4.8
ANGLE	VER. ANGLE	22.7°	16.6°
	HOR. ANGLE	30.0°	22.0°
	DIA. ANGLE	37.1°	27.4°
DISTORTION (TV)	-0.20%		
SHOOTING RANGE AT	VER.	45.7mm	33.1mm
MINIMUM FOCUS	HOR.	61.1mm	44.3mm
DISTANCE	DIA.	76.5mm	55.5mm
MINIMUM FOCUS DISTANCE	0.1m		
FLANGE BACK	17.526 mm in air		
BACK FOCUS	14.6mm in air		
FILTER SCREW SIZE	M25.5x0.5		
FRONT/REAR EFFECTIVE DIA.	FRONT ϕ 21.2mm		REAR ϕ 13.4mm
MOUNT	C-MOUNT		
EXIT PUPIL	-53.6mm		
TEMPERATURE RANGE	-10~+50° C		
STORAGE TEMPERATURE RANGE	-20~+60° C		
RESOLUTION CENTER/CORNER	CENTER 200lp/mm CORNER 160lp/mm		
LENS COATING	WIDE BAND MULTI COATING		
WEIGHT	90 g		