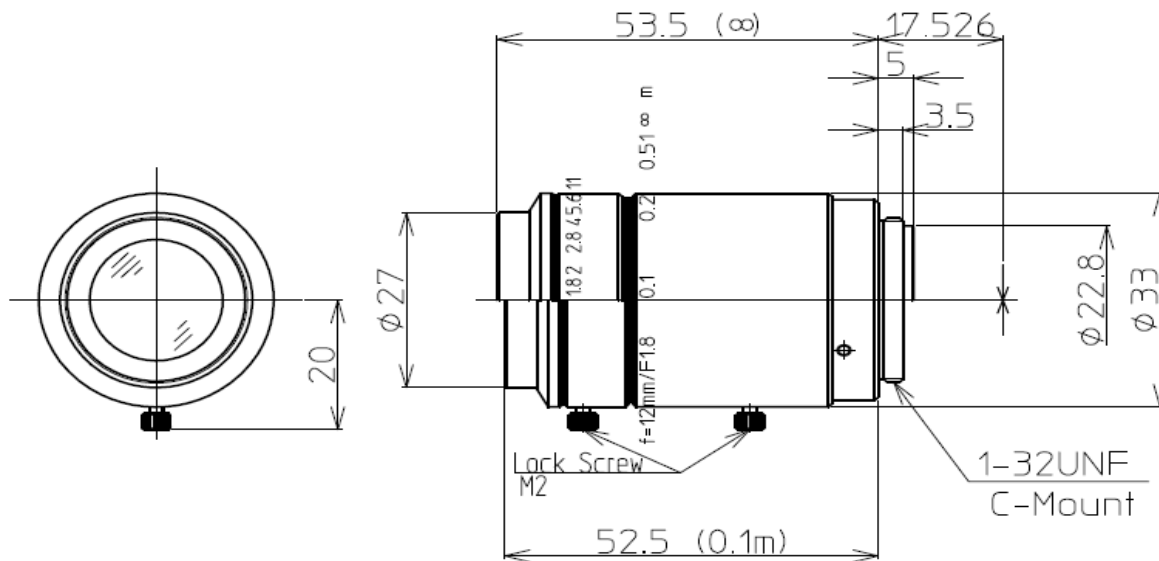


LM12JC10M**Pyramid Imaging**

2/3" 1.8/12mm C		1/2"	1/3"
FOCAL LENGTH		f=12mm	
MAX. DIAMETER (RATIO)		F=1:1.8~11	
ELEMENT		7 ELEMENTS 9 GROUPS	
PICTURE SIZE		6.6x8.8mm	4.8x6.4
ANGLE	VER. ANGLE	29.8°	21.9°
	HOR. ANGLE	39.1°	28.9°
	DIA. ANGLE	47.8°	35.8°
DISTORTION (TV)		-0.12%	-
SHOOTING RANGE AT	VER.	60.2mm	43.7mm
	HOR.	80.7mm	58.4mm
	DIA.	101.5mm	73.2mm
MINIMUM FOCUS DISTANCE		0.1m	
FLANGE BACK		17.526mm in air	
BACK FOCUS		13.9mm in air	
FILTER SCREW SIZE		M25.5x0.5	
FRONT/REAR EFFECTIVE DIA.		FRONT ϕ 18.4mm	REAR ϕ 16.1mm
MOUNT		C-MOUNT	
EXIT PUPIL		154.1	
TEMPERATURE RANGE		-10~+50° C	
STORAGE TEMPERATURE RANGE		-20~+60° C	
RESOLUTION CENTER/CORNER		CENTER 200lp/mm CORNER 160lp/mm	
LENS COATING		WIDE BAND MULTI COATING	
WEIGHT		105 g	