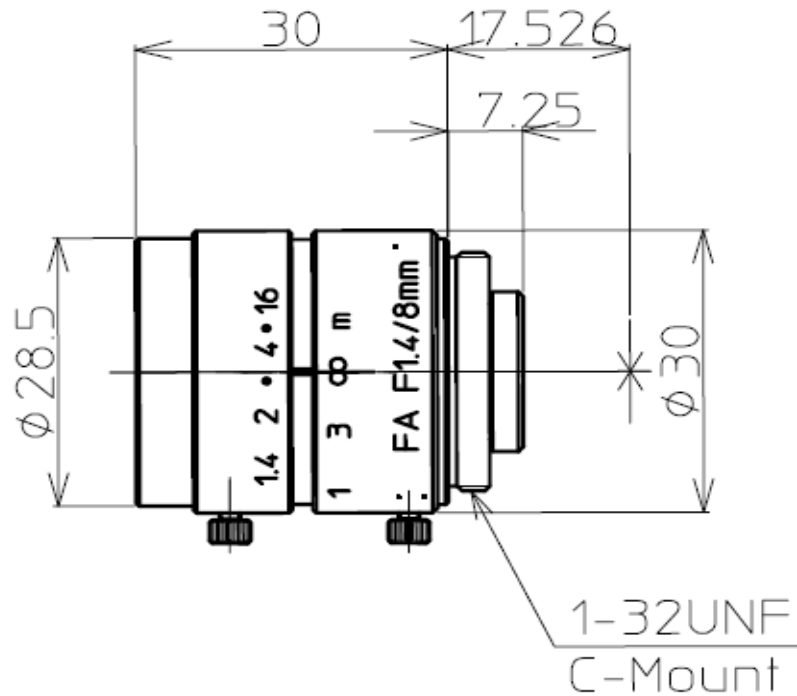


## LM8JC



Model	LM8JC
Focal Length (mm)	8
Image Size (mm)	2/3" ( $\phi 11$ )
Iris Range (F-Stop)	F1.4~F16
Focusing Range (m)	0.1~ $\infty$
Shooting Range at M.O.D.	260 (H) X 184 (V)
Angle of View	64.2X47.7
(degrees) 2/3"	
1/2"	46.2X34.6
1/3"	34.5X28.6
Resolution (Center, Corner)	100lp/mm, 60lp/mm
Distortion (TV)	-6.2%
Flange Back in Air (mm)	17.526
Back Focus in Air (mm)	11.3
Front/Rear Effective Dia.	$\phi 17.4$ mm $\phi 11.1$ mm
Mount	C-Mount
Exit Pupil (mm)	-27
Filter Size (mm)	M27XP0.5
Size (mm)	$\phi 30$ X30
Weight (g)	60
Temperature Range	-10°C ~ 45°C