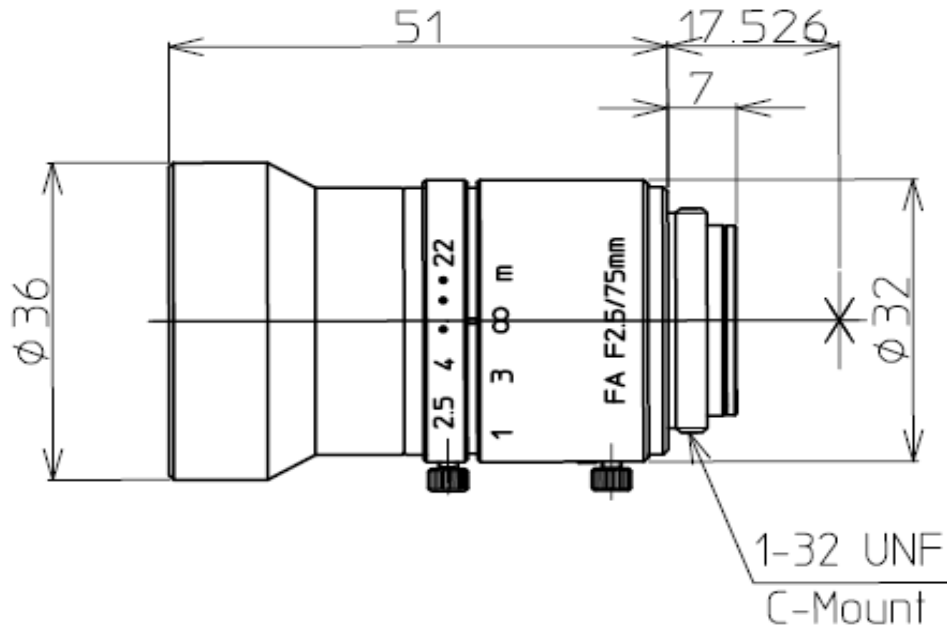


LM75JC



Model	LM75JC
Focal Length (mm)	75
Image Size (mm)	2/3" ($\phi 11$)
Iris Range (F-Stop)	F2.5~F22
Focusing Range (m)	1.2~ ∞
Shooting Range at M.O.D.	50.8 (H) X 38.1(V)
Angle of View (degrees)	2/3" 6.7X5.0 1/2" 4.9X3.7 1/3" 3.7X2.8
Resolution (Center, Corner)	100lp/mm, 60lp/mm
Distortion (TV)	-0.1%
Flange Back in Air (mm)	17.526
Back Focus in Air (mm)	18
Front/Rear Effective Dia.	$\phi 30.2$ mm $\phi 12.4$ mm
Mount	C-Mount
Exit Pupil (mm)	-38.9
Filter Size (mm)	M34.5XP0.5
Size (mm)	$\phi 36$ X51
Weight (g)	105
Temperature Range	-10°C ~ 45°C