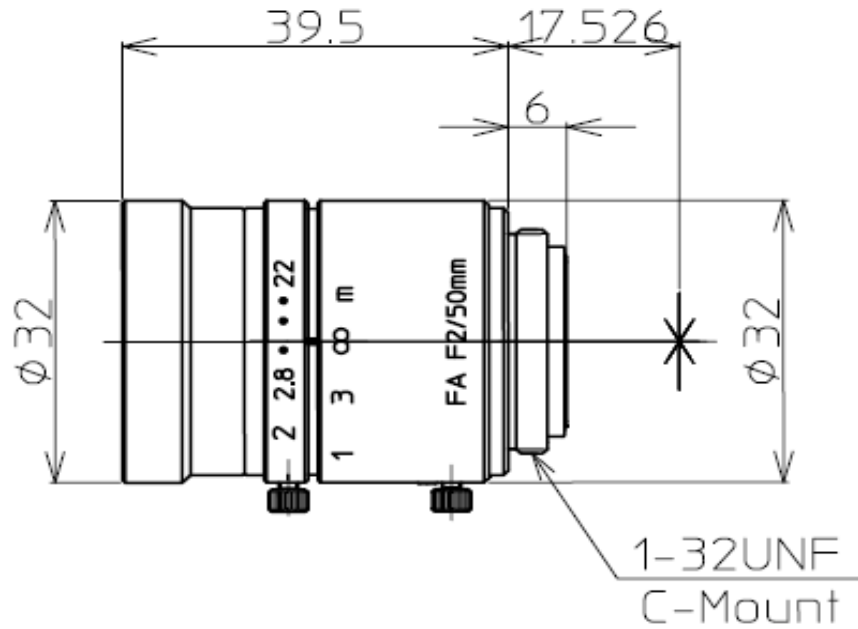


LM50JC



Model	LM50JC
Focal Length (mm)	50
Image Size (mm)	2/3" (∅11)
Iris Range (F-Stop)	F2.0~F22
Focusing Range (m)	0.5~∞
Shooting Range at M.O.D.	85.0 (H) X 63.6 (V)
Angle of View	10.1X7.6
(degrees) 2/3"	
1/2"	7.3X5.5
1/3"	5.5X4.1
Resolution (Center, Corner)	100lp/mm, 60lp/mm
Distortion (TV)	-0.1%
Flange Back in Air (mm)	17.526
Back Focus in Air (mm)	17.2
Front/Rear Effective Dia.	∅24.6mm ∅15.4mm
Mount	C-Mount
Exit Pupil (mm)	-42
Filter Size (mm)	M30.5XP0.5
Size (mm)	∅32X39.5
Weight (g)	88
Temperature Range	-10°C ~ 45°C