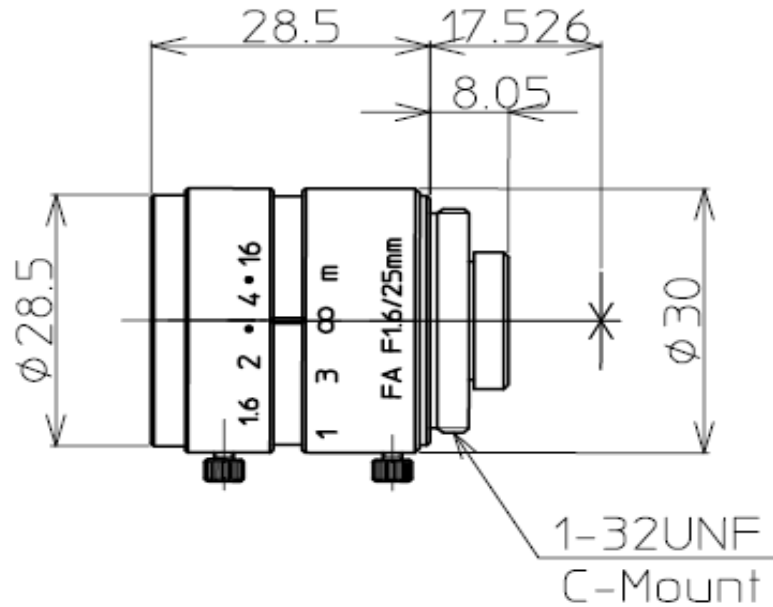


LM25JC



Model	LM25JC
Focal Length (mm)	25
Image Size (mm)	2/3" ($\phi 11$)
Iris Range (F-Stop)	F1.6~F16
Focusing Range (m)	0.2~ ∞
Shooting Range at M.O.D.	119 (H) X 89 (V)
Angle of View (degrees)	21.0X15.7
View (degrees)	15.3X11.4
View (degrees)	11.5X8.6
Resolution (Center, Corner)	100lp/mm, 60lp/mm
Distortion (TV)	-0.6%
Flange Back in Air (mm)	17.526
Back Focus in Air (mm)	10.32
Front/Rear Effective Dia.	$\phi 14.6$ mm $\phi 10.7$ mm
Mount	C-Mount
Exit Pupil (mm)	-26.2
Filter Size (mm)	M27XP0.5
Size (mm)	$\phi 30$ X28.5
Weight (g)	58
Temperature Range	-10°C ~ 45°C