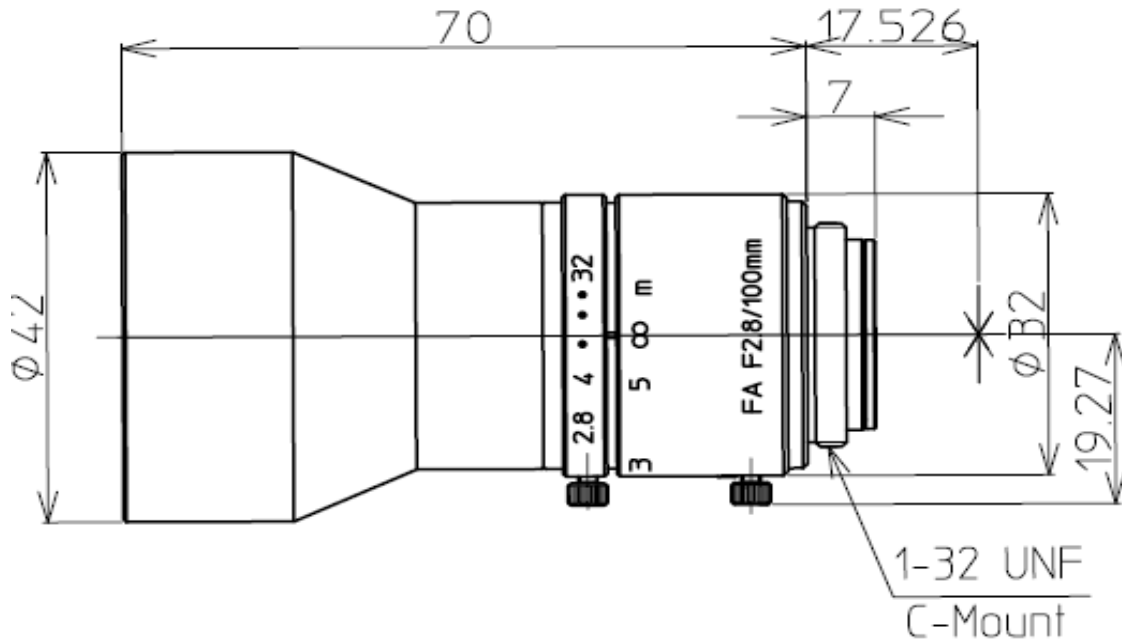


LM100JC



Model	LM100JC
Focal Length (mm)	100
Image Size (mm)	2/3" ($\phi 11$)
Iris Range (F-Stop)	F2.8~F32
Focusing Range (m)	2~ ∞
Shooting Range at M.O.D.	36.8 (H) X 27.6(V)
Angle of View (degrees)	2/3" 5.0X3.8 1/2" 3.7X2.8 1/3" 2.8X2.1
Resolution (Center, Corner)	100lp/mm, 60lp/mm
Distortion (TV)	-0.05%
Flange Back in Air (mm)	17.526
Back Focus in Air (mm)	19
Front/Rear Effective Dia.	$\phi 35.2$ mm $\phi 11.2$ mm
Mount	C-Mount
Exit Pupil (mm)	-42
Filter Size (mm)	M40.5XP0.5
Size (mm)	$\phi 42$ X70
Weight (g)	150
Temperature Range	-10°C ~ 45°C