

# Model: LM25NC3

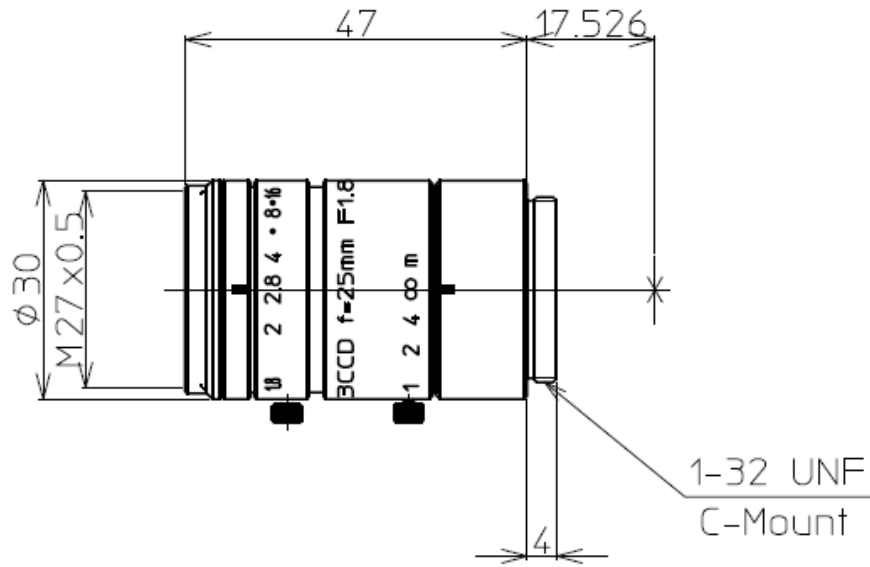


945 East 11<sup>th</sup> Avenue Tampa, FL 33605

Phone: (813) 984-0125

Contact: Sales@ pyramidimaging.com

<https://pyramidimaging.com>



1/2" 1.8/25mm 3CCD		1/3"
FOCAL LENGTH	f=25.0mm	
MAX. DIAMETER (RATIO)	F=1:1.8~16	
PICTURE SIZE	6.4x4.8mm	4.8x3.6
ANGLE	VER. ANGLE	11.0°
	HOR. ANGLE	14.6°
	DIA. ANGLE	18.2°
DISTORTION (TV)	-0.17%	-0.1%
MINIMUM FOCUS DISTANCE	0.2m	
FLANGE BACK	17.526 mm in air	
BACK FOCUS	15.0mm in air	
FILTER SCREW SIZE	M27x0.5	
FRONT/REAR EFFECTIVE DIA.	$\phi 15.8\text{mm}$	$\phi 14.4\text{mm}$
MOUNT	C-MOUNT	
EXIT PUPIL	-392mm	
TEMPERATURE RANGE	-10~+45° C	
STORNG TEMPERATURE RANGE	-40~+60° C	
RESOLUTION	120 LP/mm, 100 LP/mm	