

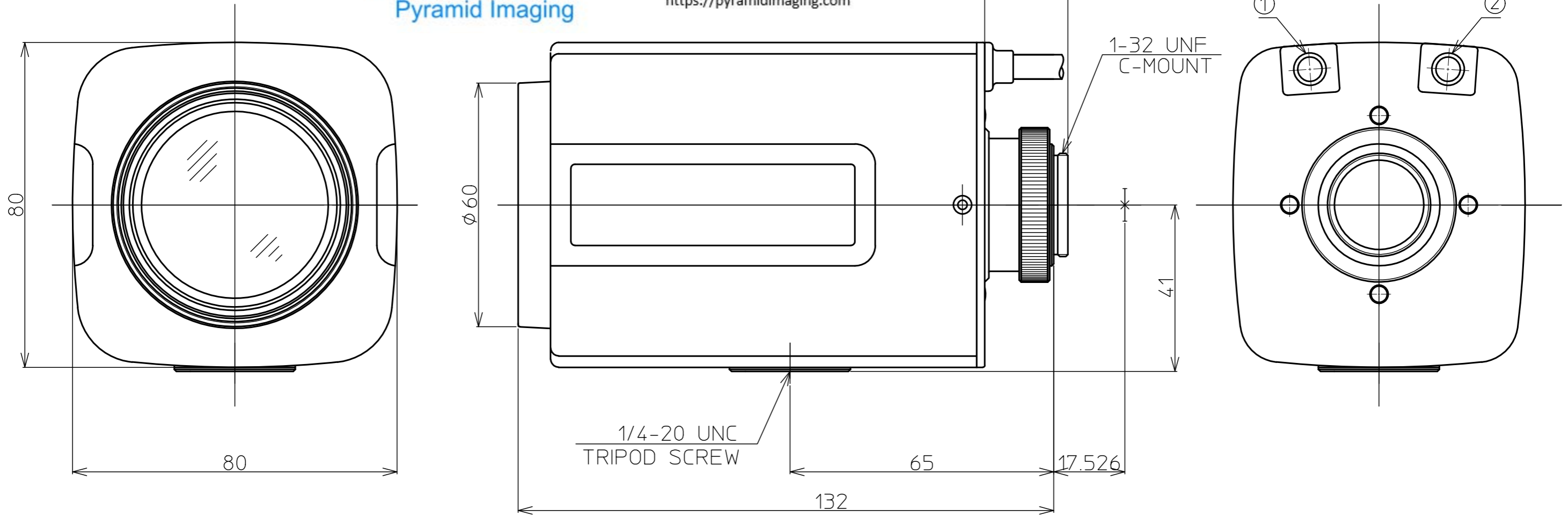


945 East 11th Avenue Tampa, FL 33605

Phone: (813) 984-0125

Contact: Sales@ pyramidimaging.com

https://pyramidimaging.com

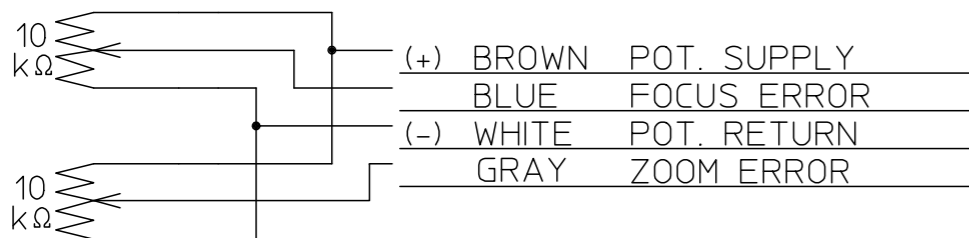


① IRIS CABLE
(VIDEO CONTROL)

(+) RED INPUT VOLTAGE
(-) BLACK GROUND
WHITE VIDEO SIGNAL
GREEN REMOTE CONTROL

② MOTOR CABLE

(+) GREEN FOCUS NEAR
(+) BLACK FOCUS FAR
(+) YELLOW ZOOM IN
(+) RED ZOOM OUT

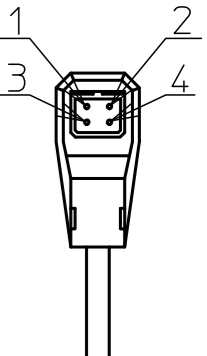


SPECIFICATION

1. USE	FOR 1/2" COLOR ,B/W CAMERA	
2. FOCAL LENGTH	f=7.5~127mm	
3. IRIS RANGE	F= 1.6 ~ 360	
4. IMAGE SIZE	φ 8 (6.4 x 4.8)	
5. BACK FOCAL LENGTH	15.1 mm in air	
6. FLANGE FOCAL LENGTH	17.526 mm in air	
7. FOCUS RANGE	∞ ~ 1.5 m	
8. FIELD ANGLE	DIA. (W)	55.8° (T) 3.6°
	HOL.	45.6° 2.9°
	VER.	34.7° 2.2°
9. DISTORTION (TV)	-0.78%	0.89%
10. LENS CONSTRUCTION	13 GROUPS 16 ELEMENTS	
11. CLEAR APERTURE	FRONT φ50.0 REAR φ12.7	
12. WEIGHT	580g	

DC (DIRECT CONTROL)

DRIVE COIL	RESISTOR	190Ω (20°0)
	COLOR	RED(+) 3pin BLACK 4pin
BRAKE COIL	RESISTOR	1150Ω (20°0)
	COLOR	YELLOW(+) 2pin GREEN 1pin
DRIVE VOLT.	OPEN	+4V
	CLOSE	0V
		W/CLOSING SPRING



尺度	1/1	承認	八木	製	富永
機種名	LMZ7527				
機種番	1/2"フォーマット F1.6 f7.5-128mm				
09.11.24	作成年月日				