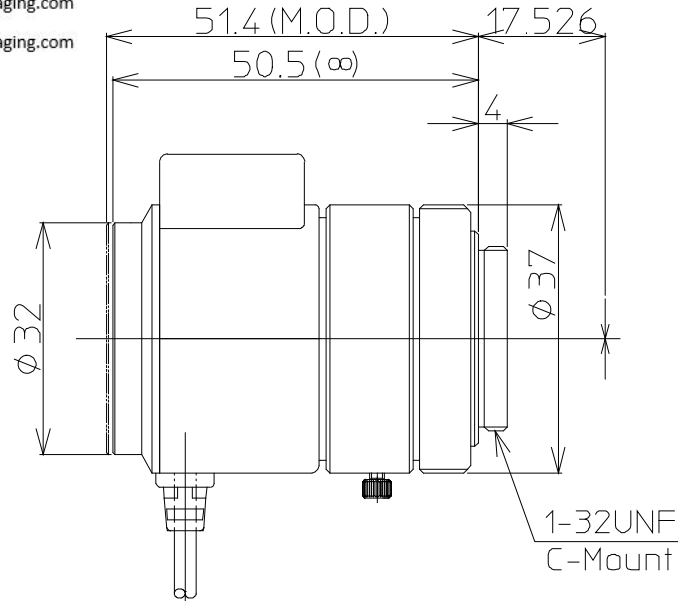
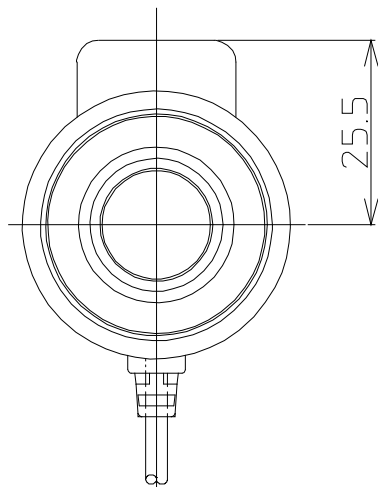


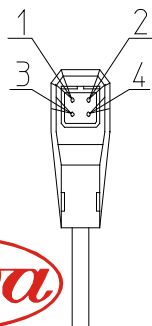


945 East 11th Avenue Tampa, FL 33605
 Phone: (813) 984-0125
 Contact: Sales@pyramidimaging.com
<https://pyramidimaging.com>



[LM16JC5MM-IR SPECIFICATION (P-IRIS)]

1. USE	FOR 2/3" B/W COLOR CAMERA	
2. FOCAL LENGTH	16mm	
3. MAX. DIA. RATIO	F1.4	
4. IRIS RANGE	F1.4 – F38	
5. IMAGE SIZE	φ 11mm	
6. BACK FOCAL LENGTH	14.7mm in air	
7. FLANGE FOCAL LENGTH	17.526mm	
8. FOCUS RANGE	0.5m	
9. FIELD ANGLE	DIA.	38.5°
	HOR.	30.9°
	VER.	23.3°
10. LENS CONSTRUCTION	7 GROUPS 8 ELEMENTS	
11. CLEAR APERTURE	FRONT	φ 14.5mm
	REAR	φ 15.0mm
12. EXIT PUPIL POSITION	-1057mm	
13. MOUNT	C – MOUNT	
14. FILTER SCREW SIZE	M30.5x0.5	
15. TV DISTORTION	-0.8%	
16. WEIGHT	100g	



CLOSE



STEP	PB	PA	PNA	PNB
Pin No.	1	2	3	4
STEP 1	L	L	H	H
STEP 2	L	H	L	H
STEP 3	H	H	L	L
STEP 4	H	L	H	L



Maximum step : 73 steps (Full step)

Step (full_step)	F_number (WIDE)
0	1.41
5	1.45
10	1.52
15	1.63
20	1.75
25	1.90
30	2.09
35	2.33
40	2.66
45	3.11
50	3.79
55	4.87
60	6.57
65	9.71
70	18.25
73	37.94



Motor Specification

1. VOLTAGE	3VDC
2. PHASE	2 PHASE
3. DRIVE METHOD	BIPOLAR
4. RESISTANCE	33Ω