

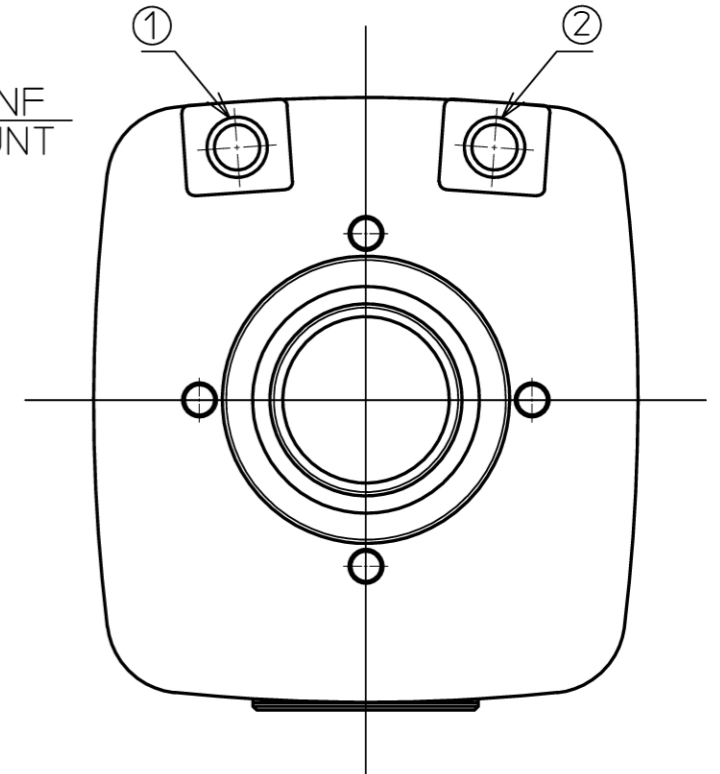
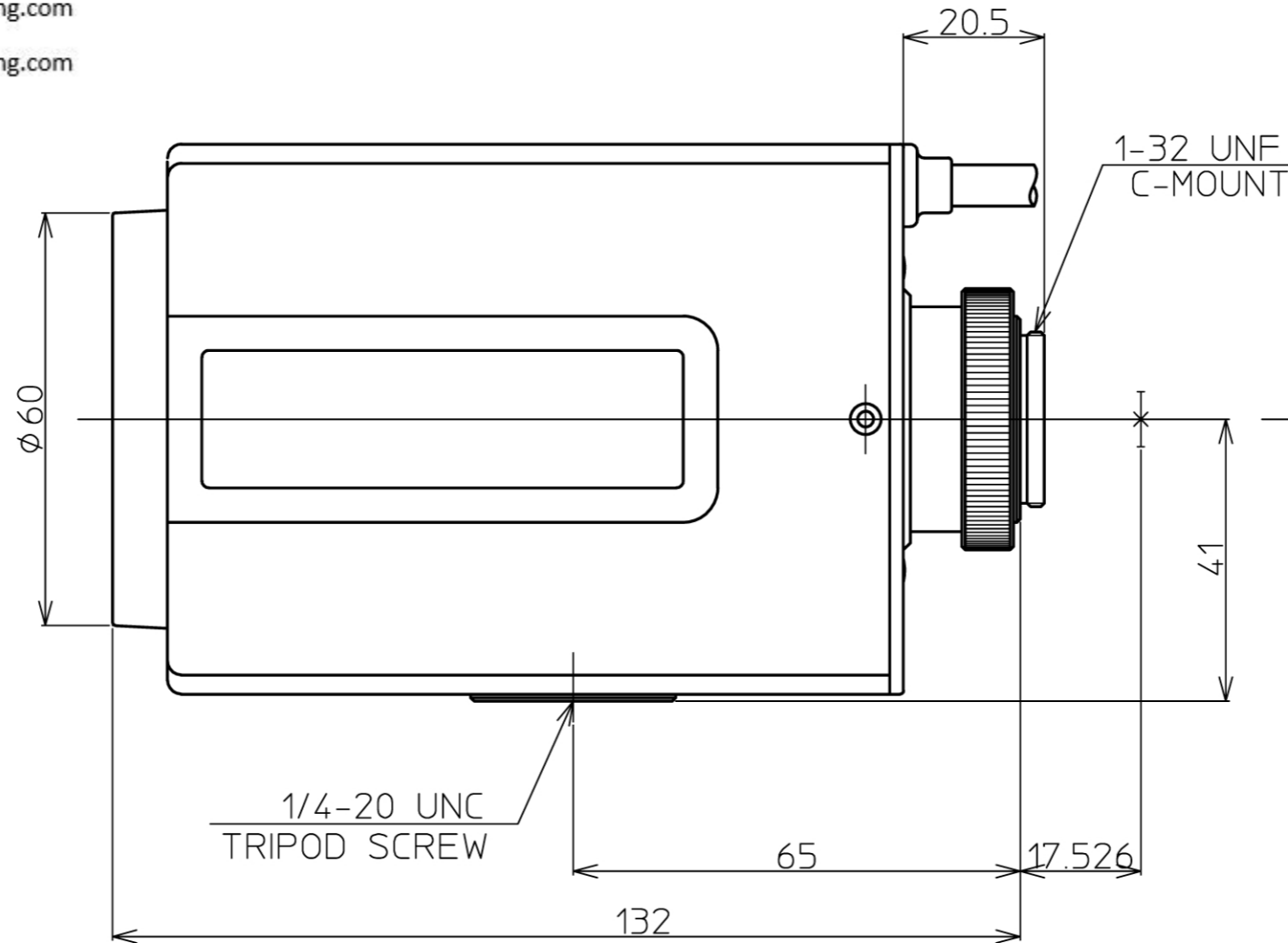
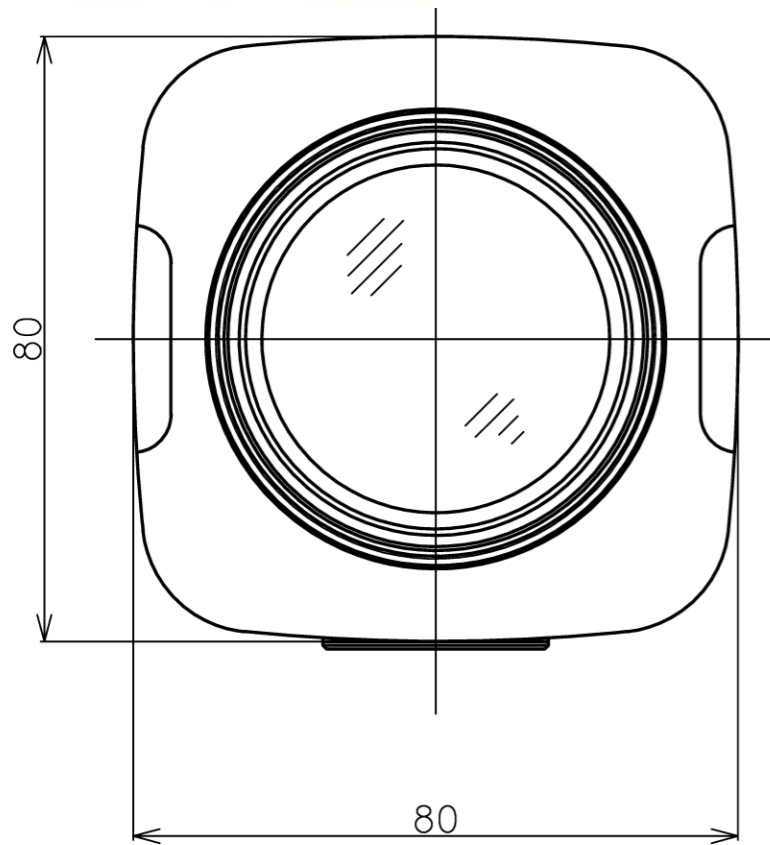


945 East 11th Avenue Tampa, FL 33605

Phone: (813) 984-0125

Contact: Sales@ pyramidimaging.com

https://pyramidimaging.com



① IRIS CABLE
(VIDEO CONTROL)

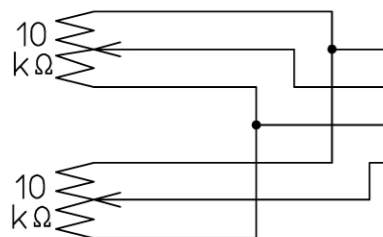
(+) RED INPUT VOLTAGE
(-) BLACK GROUND
WHITE VIDEO SIGNAL
GREEN REMOTE CONTROL

② MOTOR CABLE

(+) GREEN FOCUS NEAR
(+) BLACK FOCUS FAR
(+) YELLOW ZOOM IN
(+) RED ZOOM OUT

SPECIFICATION

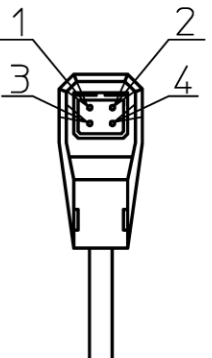
1. USE	FOR 1/2" COLOR ,B/W CAMERA	
2. FOCAL LENGTH	f=7.5~127mm	
3. IRIS RANGE	F= 1.6 ~ 360	
4. IMAGE SIZE	φ 8 (6.4 x 4.8)	
5. BACK FOCAL LENGTH	15.1	mm in air
6. FLANGE FOCAL LENGTH	17.526	mm in air
7. FOCUS RANGE	∞ ~ 1.5 m	
8. FIELD ANGLE	DIA. (W)	55.8° (T) 3.6°
	HOL.	45.6° 2.9°
	VER.	34.7° 2.2°
9. DISTORTION (TV)	-0.78%	0.89%
10. LENS CONSTRUCTION	13 GROUPS 16 ELEMENTS	
11. CLEAR APERTURE	FRONT φ50.0	REAR φ12.7
12. WEIGHT	580g	



(+) BROWN POT. SUPPLY
BLUE FOCUS ERROR
(-) WHITE POT. RETURN
GRAY ZOOM ERROR

DC (DIRECT CONTROL)

DRIVE COIL	RESISTOR	190 Ω (20°C)
	COLOR	RED(+) 3pin BLACK 4pin
BRAKE COIL	RESISTOR	1150 Ω (20°C)
	COLOR	YELLOW(+) 2pin GREEN 1pin
	DRIVE VOLT.	OPEN +4V CLOSE 0V W/CLOSING SPRING



	尺度	1/1	承認	八木	1,3 MP
	機種名	LMZ7527AMDC / AMPDC			
	機種番	1/2", 7,5-127mm/F1.6			
09.11.24	作成年月日				