

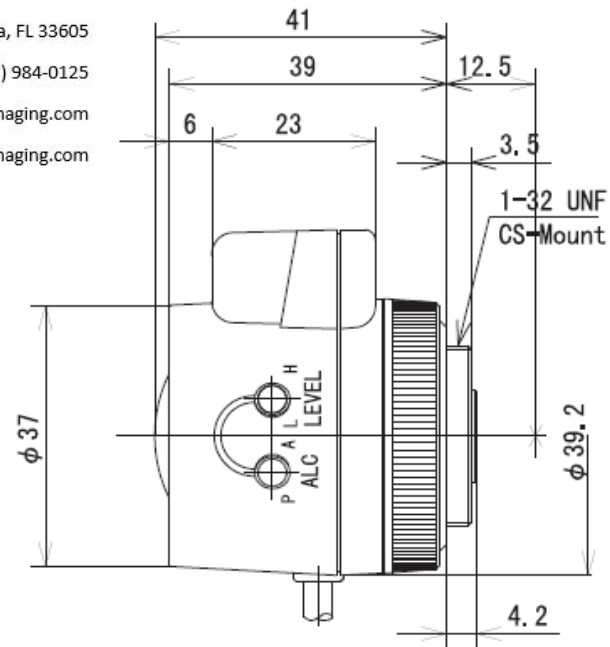
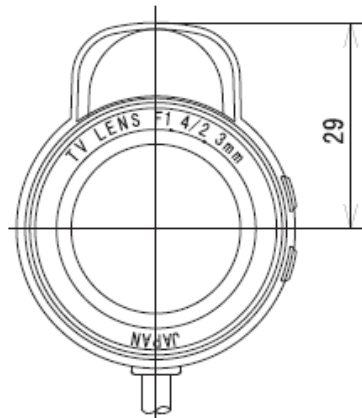


945 East 11th Avenue Tampa, FL 33605

Phone: (813) 984-0125

Contact: Sales@pyramidimaging.com

https://pyramidimaging.com



1/3" F1.4 / 2.3mm		
Focal Length	f=2.3mm	
Max. Aperture (Ratio)	F=1.4	
Element	7 Group 8 Elements	
Picture Size	3.4x4.8mm	
Angle	Dia.	143.2°
	Hor.	116.1°
	Ver.	87.4°
Distortion	-21.9%	
Shooting Range at M. O. D.	Dia.	1236.8mm
	Hor.	664.8mm
	Ver.	398.0mm
Minimum Object Distance	0.2m	
Flange Back	12.5mm	
Back Focus	8.3mm	
Filter Screw Size	—	
Front/Rear Effective Dia.	Front: ϕ 23.4mm / Rear: ϕ 8.7mm	
Mount	CS-MOUNT	
Exit Pupil Position	256.4mm	
Temperature Range	-10~+45° C	
Storage Temperature Range	-40~+60° C	
Resolution	Center:100lp/mm Corner:more than 40lp/mm	
Stopper Strength	More than 10KgfXcm	
Endurance Tests	Iris:10,000 Times Focus:5,000 Times	
Operating Torque	Focus:100~1000gfxcmm	
Weight	80g	

BS DC Iris LM2.3PB

AS Video Iris LM2.3PBA

Driving Coil	Resistance	190Ω (20° C)	Input Volt.	Range	+8V~+16V Less than 35mA(9V)
	Color	Red, Black (Red+open)		Color	Red(+VCC), Black(GND)
Dumping Coil	Resistance	1150Ω (20° C)	Input Signal	Signal	Video Signal (VorVS)
	Color	Yellow, Green (Yellow+open)		Color	White
Driving Voltage	to Open	Less than +4V	LEVEL Adjustment	Resistance	>100kΩ
	to Close	More than 0V (w/Closing Spring)		Range	0.5~1.0Vpp
			VR or Remote	Remote	Green
			Response		within 3.5sec.
			Cable	4 wires(Shield)	L=500 mm