



945 East 11<sup>th</sup> Avenue Tampa, FL 33605

Phone: (813) 984-0125

Contact: Sales@ pyramidimaging.com

<https://pyramidimaging.com>

**HDTV 3CCD/CMOS Zoom Lens for Short Distances**

**HD PROMINAR**

**LMZ856-HD3**

- +High-performance Zoom Lens suitable for High Definition TV(1920x1080) 3CCD/CMOS cameras
- +Short distance optical-design perfect for indoor monitoring
- +Compact / Light weight design

**The high-performance short distance HDTV 3CCD/CMOS Zoom Lens most suitable for indoor monitoring.**



※The photograph is an image.

## CHARACTERISTICS

### +HDTV image(1920x1080) resolution

The NEW HD PROMINAR Lens designed achieves high definition and less chromatic aberrations.

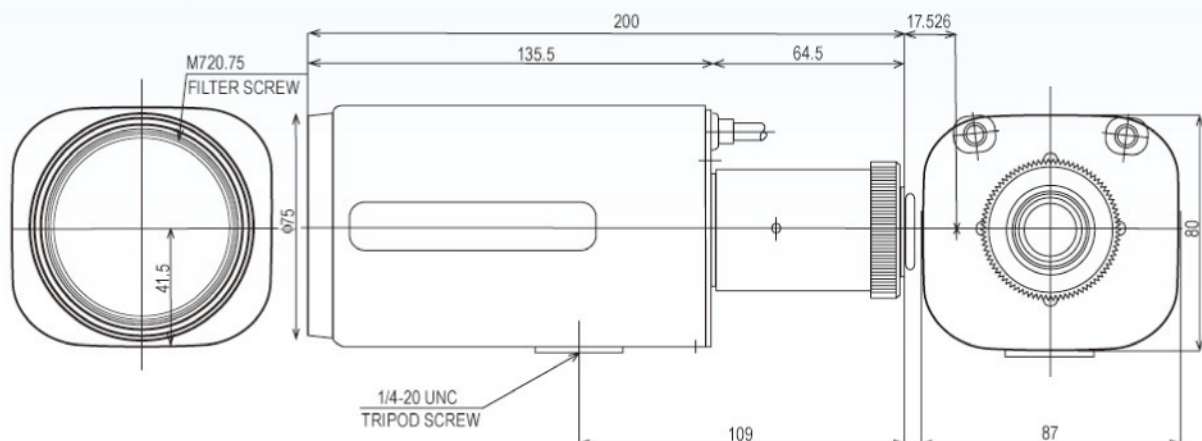
### +Short distance and 3CCD/CMOS optical design

This 7x 3CCD/CMOS Zoom Lens can focus on short distances and will maintain high performance across the whole zoom range. In addition, the design keeps distortion at a minimum.

### +C-mount adoption

This lens adopts C-mount for versatility.

## DIMENSIONS



## SPECIFICATIONS

Model No.	Use	Focal Length	Zoom ratio	Relative Aperture(F)	Horizontal Angle	
LMZ856-HD3	1/2" 3CCD/CMOS Cameras	8-56mm	7x	1:2.0-16	Wide:48.0°x27.2°	
					Tele:3.2°x1.6°	
Field of view (at M.O.D)	Focus range	Operation	Filter size	Size(W×H×L)	Mount	Weight
Wide 500x281mm	0.7-3.0m	Iris : Motorized	M72x0.75mm	87.0x80.0 x200.5mm	C-mount	Approx. 1kg
Tele 80x45mm		Zoom : Motorized				
		Focus : Motorized				



**Kowa Company, Ltd.**

**Electronics & Optics Division**

4-14, Nihonbashi-Honcho 3-chome,  
Chuo-ku, Tokyo 103-8433, Japan  
Phone : +81-(3) 5623-8061  
Facsimile : +81-(3) 5623-8060  
opt-cctv@kowa.co.jp  
http://www.kowa.co.jp

**Kowa Optimed  
Deutschland GmbH**

Immermannstrasse 43B  
40210 Duesseldorf F.R. Germany  
Phone : +49-(211) 17 93 54 0  
Facsimile : +49-(211) 16 19 52

**Kowa Optimed, Inc.**

20001 S. Vermont Ave.  
Torrance, CA 90502, USA  
Phone : +1-(310) 327-1913  
Facsimile : +1-(310) 327-4177  
kowa-usa-info@kowa.com  
http://www.kowa-usa.com

