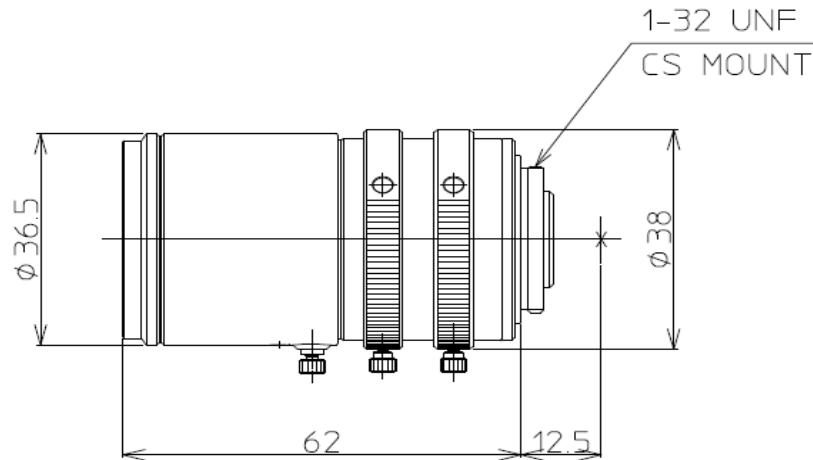


## LMVZ9020-IR



Model	LMVZ9020-IR	
Focal Length (mm)	9~20	
Zoom Ratio	2.2x	
Image Size (mm)	1/2" (Ø8)	
Iris Range (F-Stop)	F1.6~F22	
Iris Control	Manual	
Focus Control	Manual	
Minimum Focus Distance (m)	0.5	
Back Focal Length (mm)	W 8.4/T 14.8	
Flange Focal Length (mm)	12.5	
Angle of View in Degrees	Dia.	W 55.0/T 23.4
	Hor.	W 42.3/T 18.7
	Ver.	W 30.9/T 13.9
Field of View at M.O.D. (mm)	Dia.	W 554/ T 220
	Hor.	W 411/ T 175
	Ver.	W 293/ T 130
Clear Aperture (mm)	Front	Ø19.2
	Rear	Ø8.4
Lens Construction	8 Groups 9 Elements	
Distortion (TV)	W -5.2%/T -0.8%	
Exit Pupil Position (mm)	W -173.5/T -48.2	
Mount	CS-Mount	
Weight (g)	95	