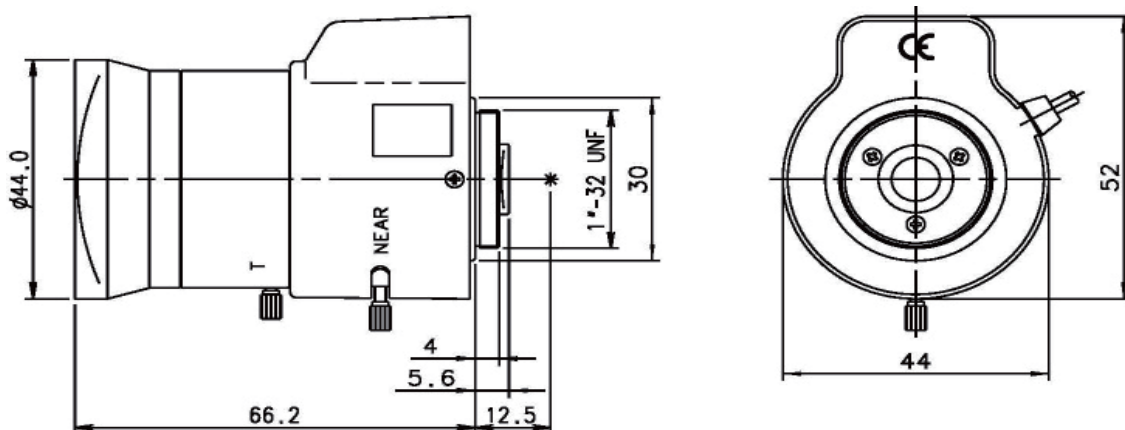


# LMVZ550A-IR



Model	LMVZ550A-IR
Focal Length (mm)	5.0~50
Image Size (mm)	1/3" (Ø6)
Iris Range (F-Stop)	F1.4~360
Focusing Range (m)	0.5
Iris Control	DC
Focus Control	Manual
Angle of View (degrees)	2/3" — 1/2" — 1/3" 52.7X39.6~5.7X4.3
Back Focus in Air (mm)	7.6~11.5
Mount	CS-Mount
Filter Size (mm)	—
Size (mm)	Ø44X52X71.8
Weight (g)	157
Temperature Range	-10°C ~ 45°C



945 East 11<sup>th</sup> Avenue Tampa, FL 33605

Phone: (813) 984-0125

Contact: Sales@pyramidimaging.com

<https://pyramidimaging.com>