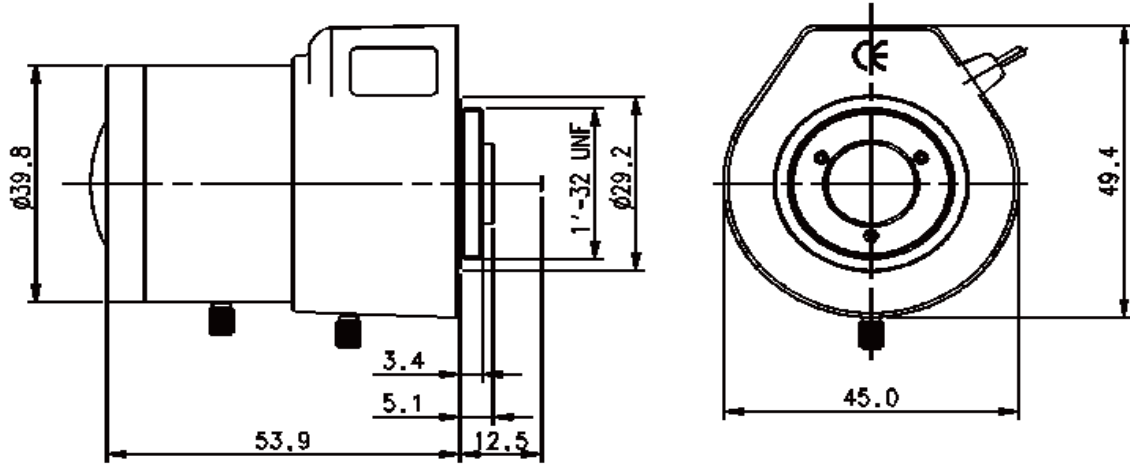


LMVZ282A-IR



Model	LMVZ282A-IR
Focal Length (mm)	2.8~12
Image Size (mm)	1/3" (Ø6)
Iris Range (F-Stop)	F1.4~360
Focusing Range (m)	0.25~∞
Iris Control	DC
Focus Control	Manual
Angle of View (degrees)	2/3" — 1/2" — 1/3" 97.6X72.6~24.1X18.8
Back Focus in Air (mm)	7.7~17.9
Mount	CS-Mount
Filter Size (mm)	—
Size (mm)	Ø45X49.4X59
Weight (g)	113.5
Temperature Range	-10°C ~ 45°C



945 East 11th Avenue Tampa, FL 33605

Phone: (813) 984-0125

Contact: Sales@ pyramidimaging.com

<https://pyramidimaging.com>