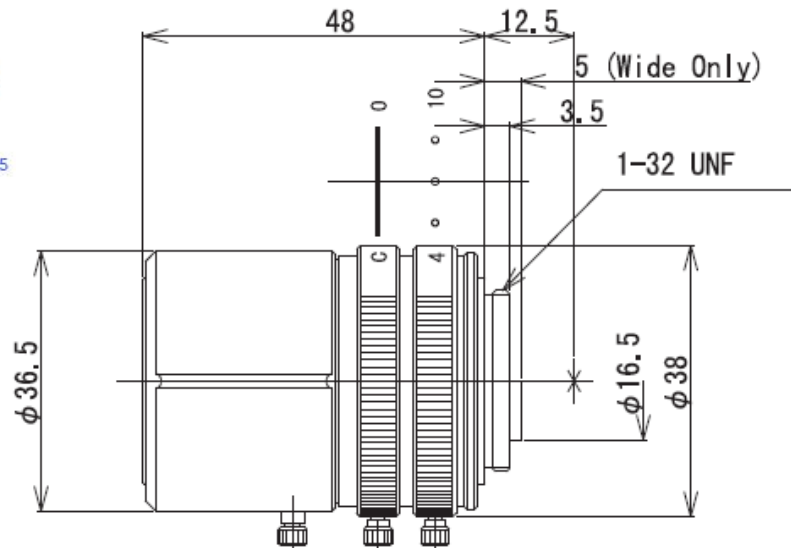




Pyramid Imaging

945 East 11th Avenue Tampa, FL 33605
 sales@pyramidimaging.com
 www.pyramidimaging.com
 813-786-3785



1/2" 1.8/4~10mm CS	
FOCAL LENGTH	f=4~10mm
MAX. DIAMETER (RATIO)	F=1:1.8
ELEMENT	8 GROUPS 8 ELEMENTS
PICTURE SIZE	4.8x6.4mm
ANGLE OF VIEW	VER. 69.0 ° ~28.0 °
	HOR. 94.8 ° ~37.3 °
	DIA. 122.3 ° ~46.5 °
DISTORTION	-18.6%~-1.6%
SHOOTING RANGE AT	VER. 434mm~157mm
MINIMUM FOCUS	HOR. 689mm~213mm
DISTANCE	DIA. 1163mm~271mm
MINIMUM FOCUS DISTANCE	0.3m
FLANGE BACK	12.5mm in air
BACK FOCUS	8.27mm~13.90mm in air
FILTER SCREW SIZE	—
FRONT/REAR EFFECTIVE DIA.	φ 24.8mm φ 7.6mm
MOUNT	CS-MOUNT
EXIT PUPIL	
TEMPERATURE RANGE	-10~45 C°
STORAGE TEMPERATURE RANGE	-40~60 C°
RESOLUTION	100lp/mm (Center) 40lp/mm (Corner)
STOPPER STRENGTH	10kgf/cm
ENDURANCE TESTS	F:5,000Times Z:5,000Times I:5,000Times
WEIGHT	90g

LMVZ41

1/2" CS F1.4/4-10mm