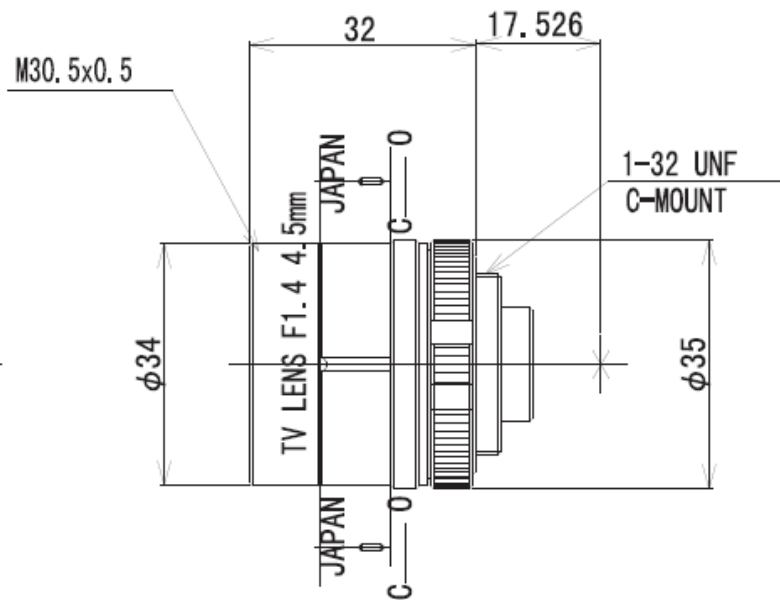
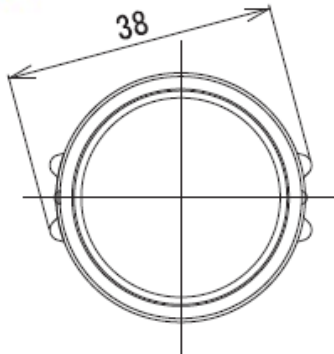




Pyramid Imaging

945 East 11th Avenue Tampa, FL 33605
 sales@pyramidimaging.com
 www.pyramidimaging.com
 813-786-3785



1/2" 1.4/4.5mm C-Mount		1/3"
Focal Length		f=4.5mm±5%
Max. Diameter (Ratio)		F=1 : 1.4±5%
Element		6 Group 7 Elements
Picture Size		4.8x6.4mm 3.6x4.8
Angle	Ver.	59.4° 45.1°
	Hor.	79.0° 59.7°
	Dia.	98.2° 74.5°
Distortion (TV)		-17.5%
Shooting Range at M.O.D/	Ver.	180mm
	Hor.	260mm
	Dia.	364mm
Minimum Object Distance		0.2m
Flange back		17.526 mm in air
Back Focus		9.96mm in air
Filter screw size		M30.5x0.5
Front/Rear Effective Dia.		F: ϕ 15.1mm R. ϕ 10.1mm
Mount		C-MOUNT
Exit Pupil		-17.5mm
Temperature Range		-10~+45° C
Storage Temperature Range		-40~+60° C
Resolution		Center 100 LP/mm Corner 40 LP/mm
Stopper Strength		10kgf · cm
Endurance Tests		Iris: 5,000 Times Focus: 5,000 Times
Operating Torque		Iris: 50~600gf · cm Focus: 100~1000gf · cm
Weight		54g±5g

LM5NCR