

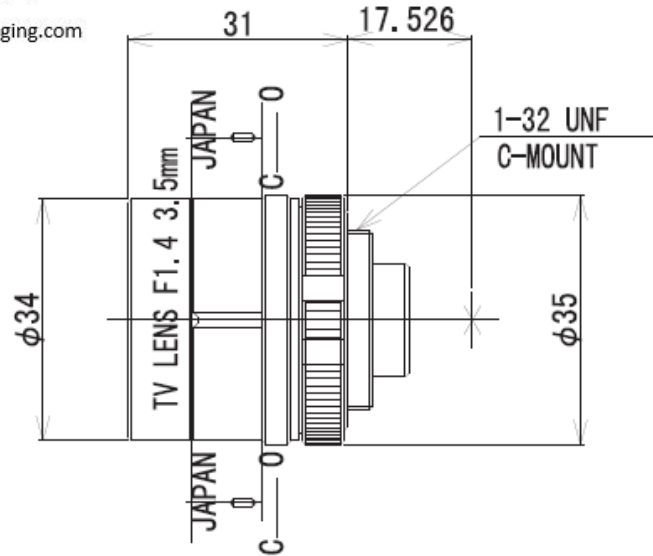
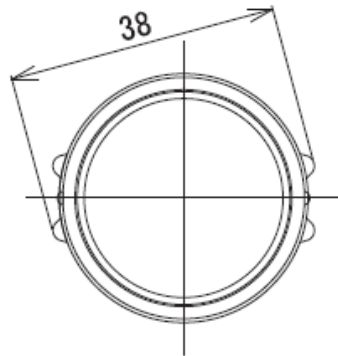


945 East 11<sup>th</sup> Avenue Tampa, FL 33605

Phone: (813) 984-0125

Contact: Sales@pyramidimaging.com

<https://pyramidimaging.com>



<b>1/2" 1.4/3.5mm C</b>		<b>1/3"</b>	
Focal Length	f=3.5mm±5%		
Max. Diameter (Ratio)	F=1 : 1.4±5%		
Element	6 Group 7 Elements		
Picture Size	4.8x6.4mm	3.6x4.8	
Angle	Ver.	76.6°	57.7°
	Hor.	103.6°	77.0°
	Dia.	132.1°	97.5°
Distortion (TV)	-28.0%		
Shooting Range at M.O.D.	Ver.	247mm	
	Hor.	396mm	
	Dia.	688mm	
Minimum Object Distance	0.2m		
Flange Back	17.526	mm in air	
Back Focus	8.89mm in air		
Filter Screw Size	--		
Front/Rear Effective Dia.	Front: φ19.6mm Rear: φ10.4mm		
Mount	C-MOUNT		
Exit Pupil	-71.4mm		
Temperature Range	-10~+45° C		
Storage Temperature Range	-40~+60° C		
Resolution	Center 100 LP/mm	Corner 40LP/mm	
Stopper Strength	10kgf · cm		
Endurance Tests	Iris: 5,000Times	Focus: 5,000Times	
Operating Torque	Iris: 50~600gf · cm	Focus: 100~1000gf · cm	
Weight	56g±5g		

LM4NCR