



# Mega Pixel CCTV Lens Series

- Lineup of five models (f = 8 to 50 mm)
- Supporting mega-pixel cameras
- Focus and iris variable
- With operation lock screws (Focus and iris)
- Maximum compatible camera format: Up to 2/3 inch
- C mount

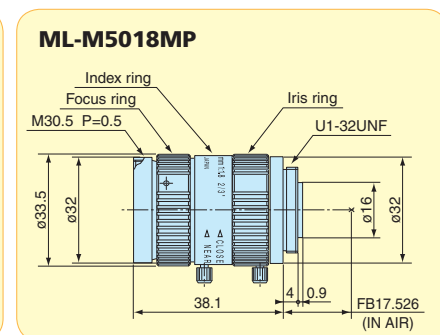
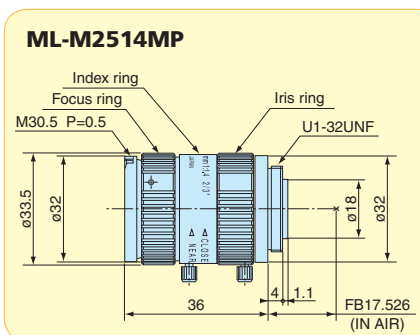
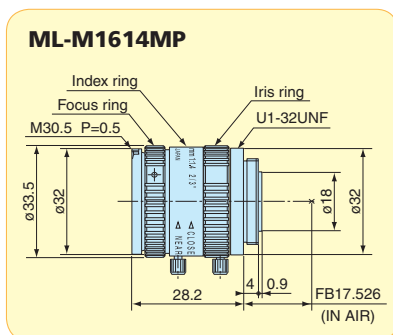
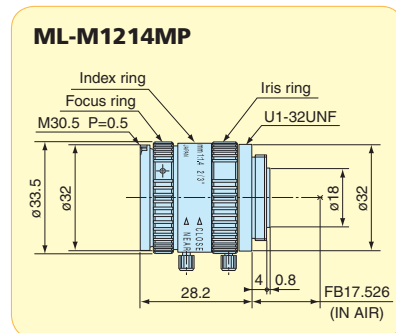
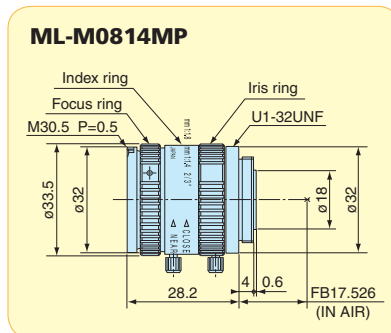
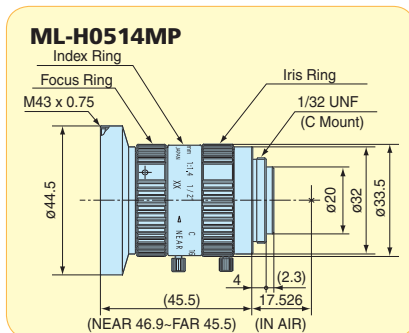


The Mega-pixel CCTV Series provides monitor lenses developed for wide-area image recognition with higher definition. The greatest feature resolvable is 100/mm and these lenses offer high resolution both at the center and the periphery. If used with a mega-pixel camera, the lenses allow photographing with higher resolution and contrast than the conventional CCTV. For all models, the variable iris and focus (with lock screw) can be fixed at arbitrary positions (\*1). The lenses also support macro photographing in combination with a close-up ring and a rear converter lens (\*2).

\*1 Vibration resistance is not considered in design.

\*2 If a close-up ring and a rear converter lens are used, an enlarged lens tolerance cause an individual difference in product performance or image deterioration

Note: The product performance is guaranteed only if the product is used alone.



Mega Pixel CCTV Lens

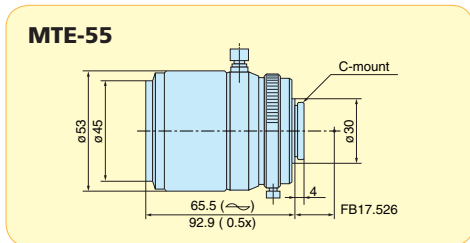
Model	Focus Distance (f)	Aperture (Fno)	Field Angle	Closest distance	Filter Screw	Weight	Largest compatible CCD	Mount	Commodity Code
<b>ML-H0514MP</b>	5mm	F1.4~16C	51.4°×65.5°	0.3m	M43 P0.75	107g	1/2"	C-Mount	A-3100
<b>ML-M0814MP</b>	8mm	F1.4~16C	43.7°×56.3°	0.1m	M30.5 P0.5	70g	2/3"	C-Mount	A-0221
<b>ML-M1214MP</b>	12mm	F1.4~16C	30.8°×40.4°	0.15m	M30.5 P0.5	65g	2/3"	C-Mount	A-0222
<b>ML-M1614MP</b>	16mm	F1.4~16C	23.4°×30.8°	0.3m	M30.5 P0.5	65g	2/3"	C-Mount	A-0223
<b>ML-M2514MP</b>	25mm	F1.4~16C	15.1°×20°	0.3m	M30.5 P0.5	75g	2/3"	C-Mount	A-0224
<b>ML-M5018MP</b>	50mm	F1.8~16C	7.9°×10.5°	0.5m	M30.5 P0.5	90g	2/3"	C-Mount	A-0225



# Telecentric CCTV lens MTE-55



The MTE-55 lens uses F2.8, f=55mm telecentric optical system that reduces angle and magnification errors when observing objects. Accurate telecentric performance is achieved when combined with the optional lens MTE2 with magnification of 0.4X to 0.9X. Although there is no telecentric effect at the magnification of infinite to 0.4X, aberrations are corrected well as compared to regular lenses.



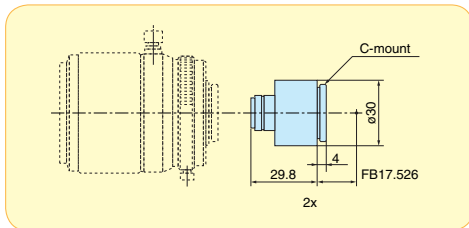
Model	MTE-55
Magnification	Infinite to 0.5X (when a special converter is used: 1.0X at max)
Focal distance	F=55mm
Fno	2.8~close
Photographing distance	Infinite to 140mm
Distortion	0.6% at max
Marginal ray amount	78.50%
Mount	C-mount
Filter size	M43 P=0.75
Largest compatible CCD	2/3"
Weight (g)	320g
Commodity code	A-0212

Field of view by CCD camera size (MTE-55)

WD (mm)	MTE-55			Optical magnification
	2/3" (length x width)	1/2" (length x width)	1/3" (length x width)	
5000	550x733	415x550	300x400	x0.012
3000	330x440	240x320	170x220	x0.02
1000	132x176	090x120	61x82	x0.05
500	55x73	40x53	30x40	x0.12
300	31x41	24x32	17x22	x0.21
200	22x29	15x20	11x15	x0.3
140	13x18	10x13	07x10	x0.48

## Options

### ■ x2 converter lens (MTE2)

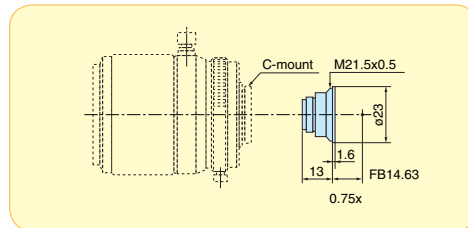


Dedicated x2 converter lens	MTE2
Commodity code	A-8083

Field of view by CCD camera size (MTE-55+MTE2)

WD (mm)	MTE-55 +Special 2X converter(MTE2)			Optical magnification
	2/3" (length x width)	1/2" (length x width)	1/3" (length x width)	
5000	275x366	207x275	150x200	x0.024
3000	165x220	120x160	85x110	x0.04
1000	66x88	45x60	30x41	x0.1
500	27x36	20x26	15x20	x0.24
300	15x20	12x16	8x11	x0.42
200	11x14	07x10	5x7	x0.6
140	6x9	5x6	3x5	x0.9

### ■ x0.75 converter lens (MTE075)



Dedicated x0.75 converter lens	MTE075
Commodity code	A-8084

Field of view by CCD camera size (MTE-55 + MTE075)

WD (mm)	MTE-55 +Special 0.75X converter(MTE075)			Optical magnification
	2/3" (length x width)	1/2" (length x width)	1/3" (length x width)	
5000	733x977	553x733	400x533	x0.009
3000	440x586	320x426	226x293	x0.015
1000	176x234	120x160	081x109	x0.03
500	73x97	53x70	40x53	x0.09
300	41x54	32x42	22x29	x0.15
200	29x38	20x26	14x20	x0.22
140	17x24	13x17	09x13	x0.36

