



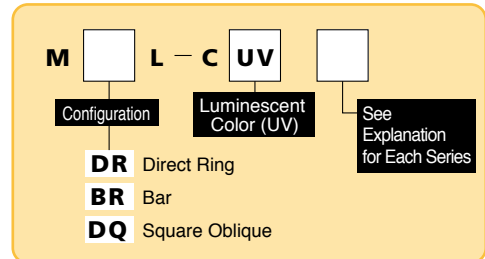
# UV Illuminations

## UV Series



\*Image of illumination condition

Explanation of Model Code

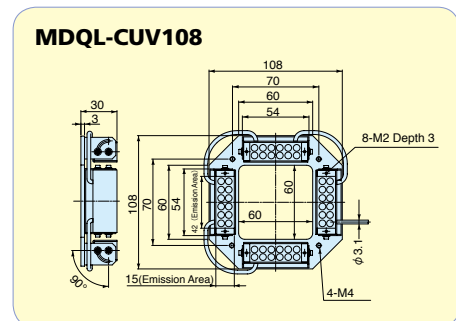
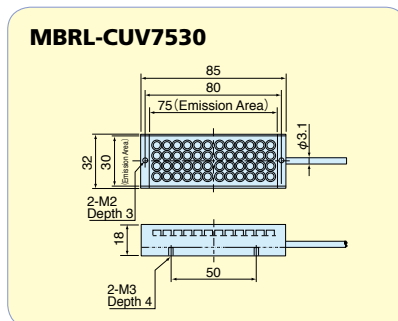
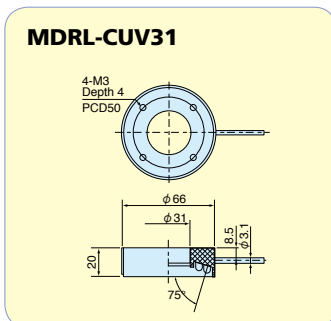


- Provides image recognition at high contrast especially for images that are difficult to recognize with visible light. It is possible to capture the surface of the object more clearly than with visible light.

- \* Use with a UV light range CCD camera.
- \* Effective in detection of dirt on glass substrates and dust on CCD elements.
- \* The peak wavelength is 365nm.



UV Illuminations



| Model               | Emitted Color | Maximum Related Current IFM(A) | Internal Diameter (mm)                  | External Diameter (mm) | Weight(g) | Product Code |
|---------------------|---------------|--------------------------------|---|------------------------|-----------|--------------|
| <b>MDRL-CUV31</b>   | ● UV          | 0.36                           | $\phi 31$                               | $\phi 66$              | 130       | A-2262       |
| <b>MBRL-CUV7530</b> | ● UV          | 0.36                           | 75×30<br>(Illumination area dimensions) |                        | 120       | A-2263       |
| <b>MDQL-CUV108</b>  | ● UV          | 0.36                           | $\square 60$                            | $\square 108$          | 210       | A-2264       |



945 East 11<sup>th</sup> Avenue Tampa, FL 33605

Phone: (813) 984-0125

Contact: Sales@ pyramidimaging.com

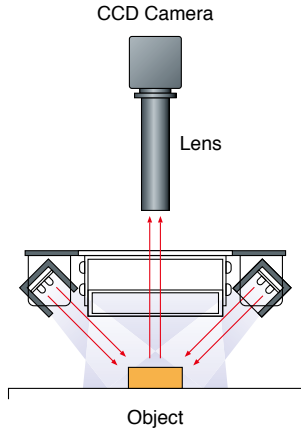
<https://pyramidimaging.com>



UV Illuminations

## Illumination Structure

### MDQL-CUV108



## Sample Images

### Yoghurt Package



Color CCD with White LED



Visible, B/W CCD with White LED



IR-CCD with IR LED

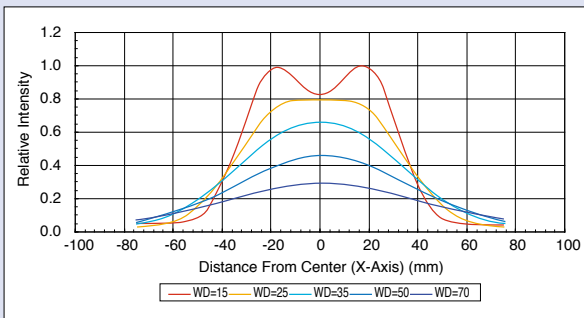


UV-CCD with UV LED

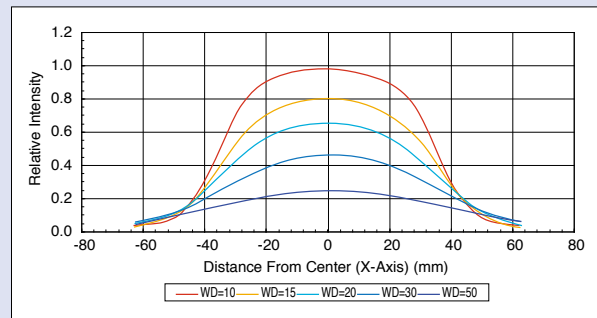
The print pattern not visible under IR can be seen clearly under UV

## Light Distribution Characteristic

### MDRL-CUV31



### MBRL-CUV7530



### MDQL-CUV108

