



Parallel Light Illuminations

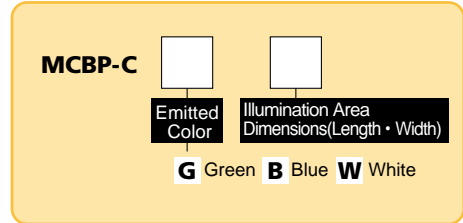
MCBP Series



945 East 11th Avenue Tampa, FL 33605
 Phone: (813) 984-0125
 Contact: Sales@pyramidimaging.com
<https://pyramidimaging.com>



Explanation of Model Code

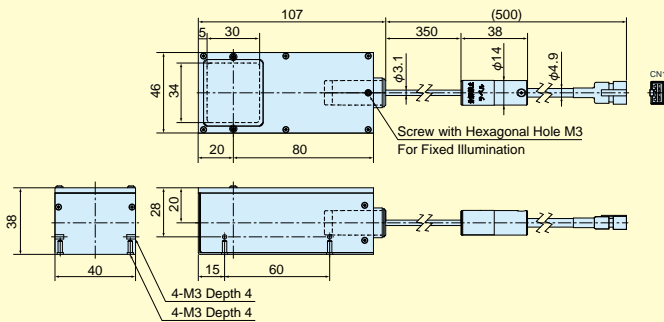


- Capable of capturing the profile of an image with higher precision than previous backlights which projected light from the rear.

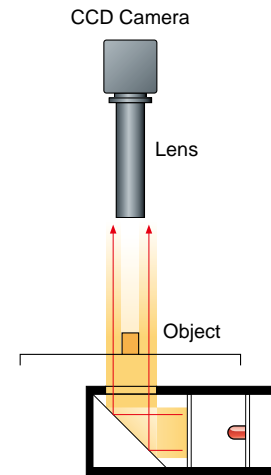
Model	Emitted Color	Maximum Related Current IFM (A)	Illumination Area Dimensions (mm)	Weight (g)	Product Code
★ MCBP-CG3430	● Green	0.07	34x30	260	A-2272
MCBP-CB3430	● Blue	0.07	34x30	260	A-2271
MCBP-CW3430	○ White	0.07	34x30	260	A-2270

★ Made-to-order products.

MCBP-CG (CB,CW) 3430



Illumination Structure



Sample Images

Screw



Direct backlight
(MDBL-CB70)
 Shape unclear because of stray, direct light



Parallel backlight
(MCBP-CB3430)
 Easy to identify shape because effect of stray, direct light is eased by the parallel light.

Embossed Characters On Clear Resin



Direct backlight
(MDBL-CB70)
 Ordinary light transmitted evenly through the entire object.



Parallel backlight
(MCBP-CB3430)
 Reflected light directed at characters for clear identification also makes external shape identification possible.



Parallel Light Illuminations