

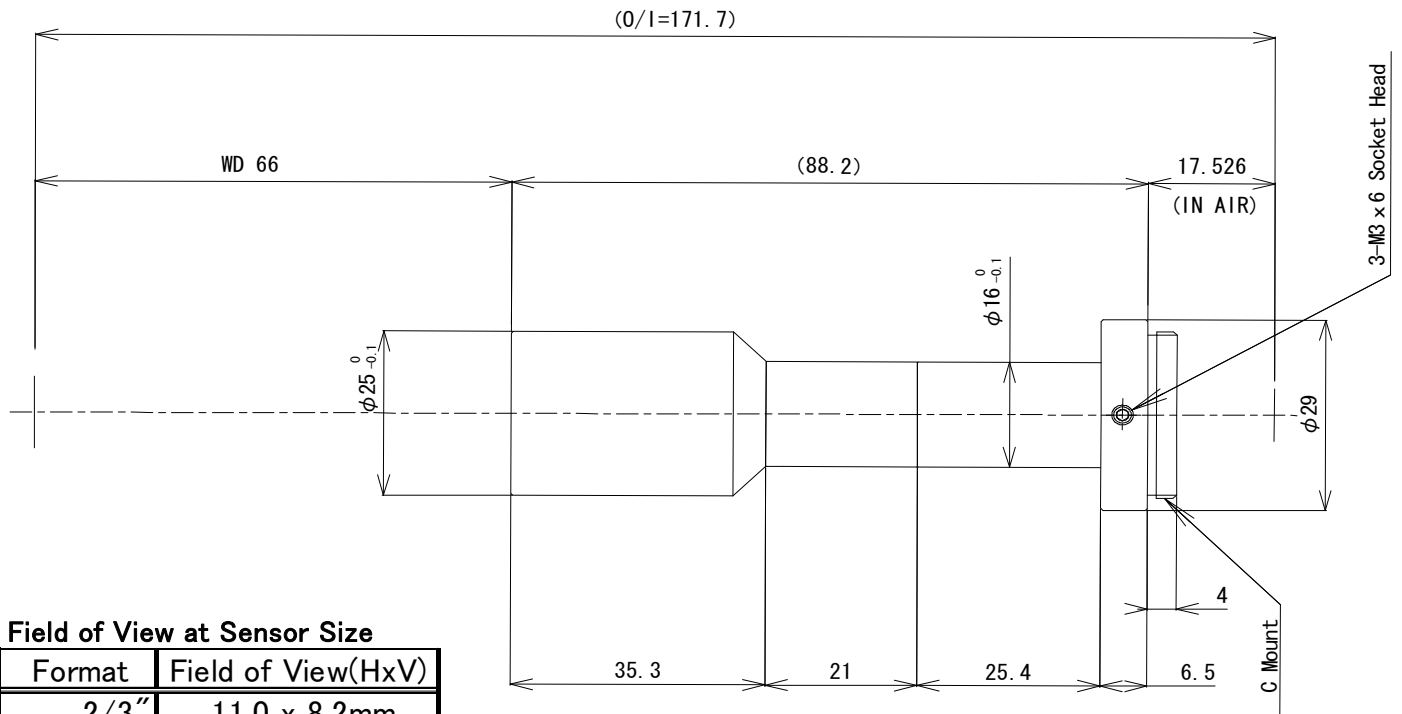
TEC-M0865MP

Magnification 0.8X, WD65mm
for 2/3 type Cameras, 2 Megapixel Telecentric Lens
C-Mount, Straight type

Model No.	TEC-M0865MP		NA	0.042
Magnification	0.8X	TV Distortion	2/3 type	0.008%
Working Distance	66mm	Back Focal Length	17.0mm	
Effective F Number	9.4	Flange Back Length	17.526mm	
Max. Image Format	φ 11mm	Mount	C-Mount	
Control	Iris	-	Filter Size	-
	Focus	-		
Field of View	11.0mm(H) x 8.25mm(V) 2/3"		Dimensions	φ 25mm x 88.2mm
Resolving Power *1	8.0μm		Weight	57g
Depth of Field *2	1.18mm		Operating Temperature	-10°C - +50°C

*1:Theoretical resolution calculated with a wavelength of 550nm
 *2:Value calculated with a permissible circle of confusion of 40 μ m

Dimensions



Field of View at Sensor Size

Format	Field of View(HxV)
2/3"	11.0 x 8.2mm
1/1.8"	8.9 x 6.6mm
1/2"	8.0 x 6.0mm
1/3"	6.0 x 4.5mm