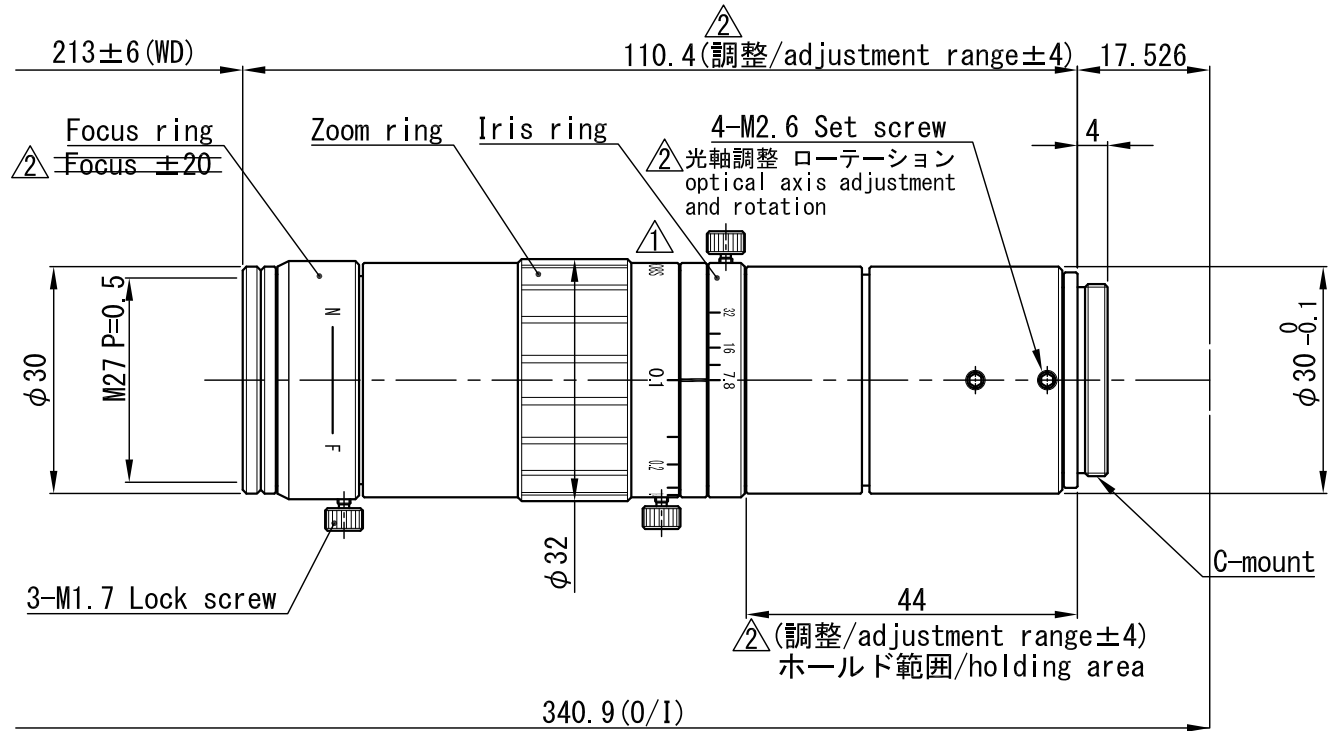


945 East 11th Avenue Tampa, FL 33605

Phone: (813) 984-0125

Contact: Sales@pyramidimaging.com

https://pyramidimaging.com



△×				APPROVED	CHECKED	MATERIAL 材料	-	CHAMFER 一般面取	-	QUANTITY 個数				
△×				T. A.	T. A.	TREATMENT 処理	-	FINISHING 仕上	-	-				
△×						TREATMENT CONTACT 処理接点	-	DECENTRATION 偏芯	-					
△×				DESIGNED	DRAWN	OVER 250 UP TO 1000	±0.3	±0.5	±1.0	±0.2	UNIT (mm)	ANGLE 角度	METHOD 図法	REMARK 適用 (機種名)
△×4	Focus ±20 削除 / 表記変更	19.03.03	T. F.			OVER 63 UP TO 250	±0.2	±0.3	±0.6	±0.15		-	VSZ-M0108S	
△×1	彫刻変更 (型式追記)	16.10.06	M. M.			OVER 16 UP TO 63	±0.1	±0.2	±0.4	±0.1		SCALE 1 / 1		NAME
NO.×箇所	REVISION 訂正事項	DATE	NAME			T. A.	T. T.	OVER 0 UP TO 16	±0.05	±0.1		±0.2	±0.1	SCALE
						TOLERANCES	A	B	C	S	DATE	'11.04.26	DRAW NO.	01DMZ0060D3