

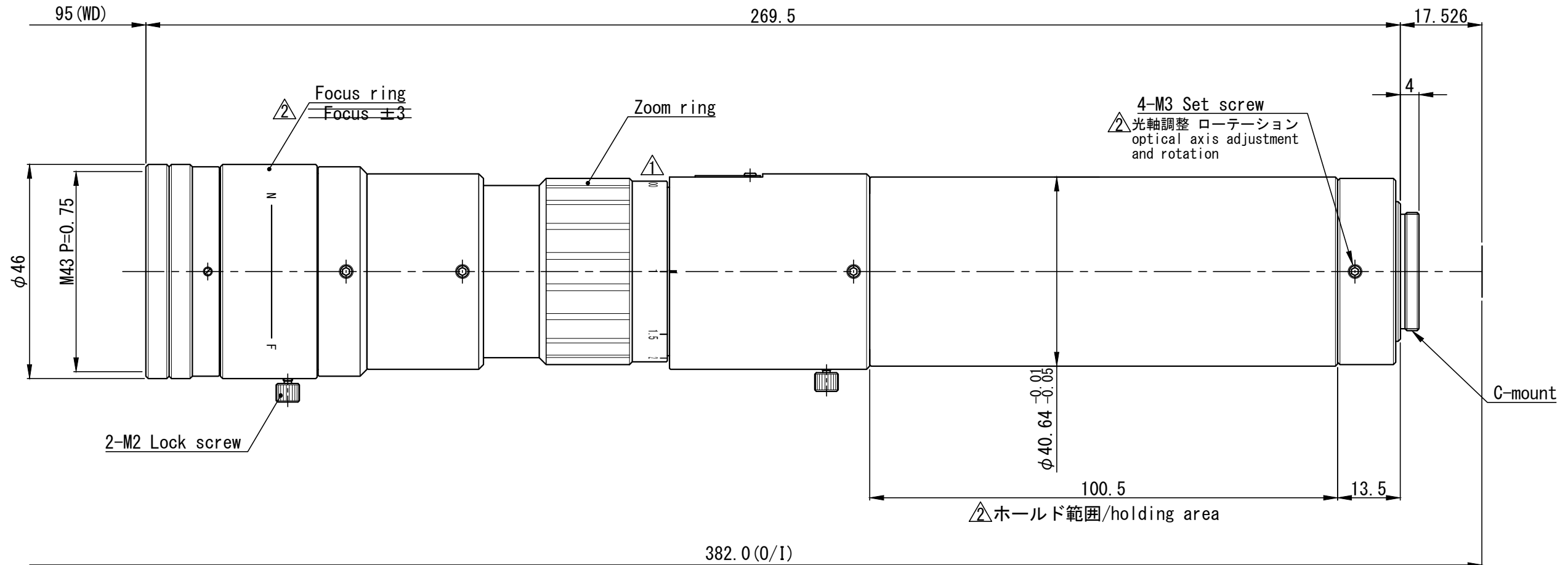


945 East 11th Avenue Tampa, FL 33605

Phone: (813) 984-0125

Contact: Sales@pyramidimaging.com

https://pyramidimaging.com



△×				APPROVED	CHECKED	MATERIAL 材料	-	CHAMFER 一般面取	-	QUANTITY 個数		
△×				T. A.	T. A.	TREATMENT 処理	-	FINISHING 仕上	-	-		
△×						TREATMENT CONTACT 処理接点	-	DECENTRATION 偏芯	-			
△× 3	Focus ±3 削除 / 表記変更	19.03.03	T. F.	DESIGNED	DRAWN	OVER 250 UP TO 1000 ±0.3 ±0.5 ±1.0 ±0.2	UNIT (mm)	ANGLE 角度	-	METHOD 図法	REMARK 適用 (機種名)	
△× 1	彫刻変更 (JAPAN削除、型式追記)	16.10.05	M. M.	T. A.	T. T.	OVER 63 UP TO 250 ±0.2 ±0.3 ±0.6 ±0.15		SCALE	1 / 1	NAME		V S Z - 1 0 1 0 0
						OVER 16 UP TO 63 ±0.1 ±0.2 ±0.4 ±0.1		DATE	'12.06.11	DRAW NO.		0 D 0 E 0 4 8 8 D 3
						OVER 0 UP TO 16 ±0.05 ±0.1 ±0.2 ±0.1		TOLERANCES	A B C S			
NO. × 箇所	REVISION 訂正事項	DATE	NAME									