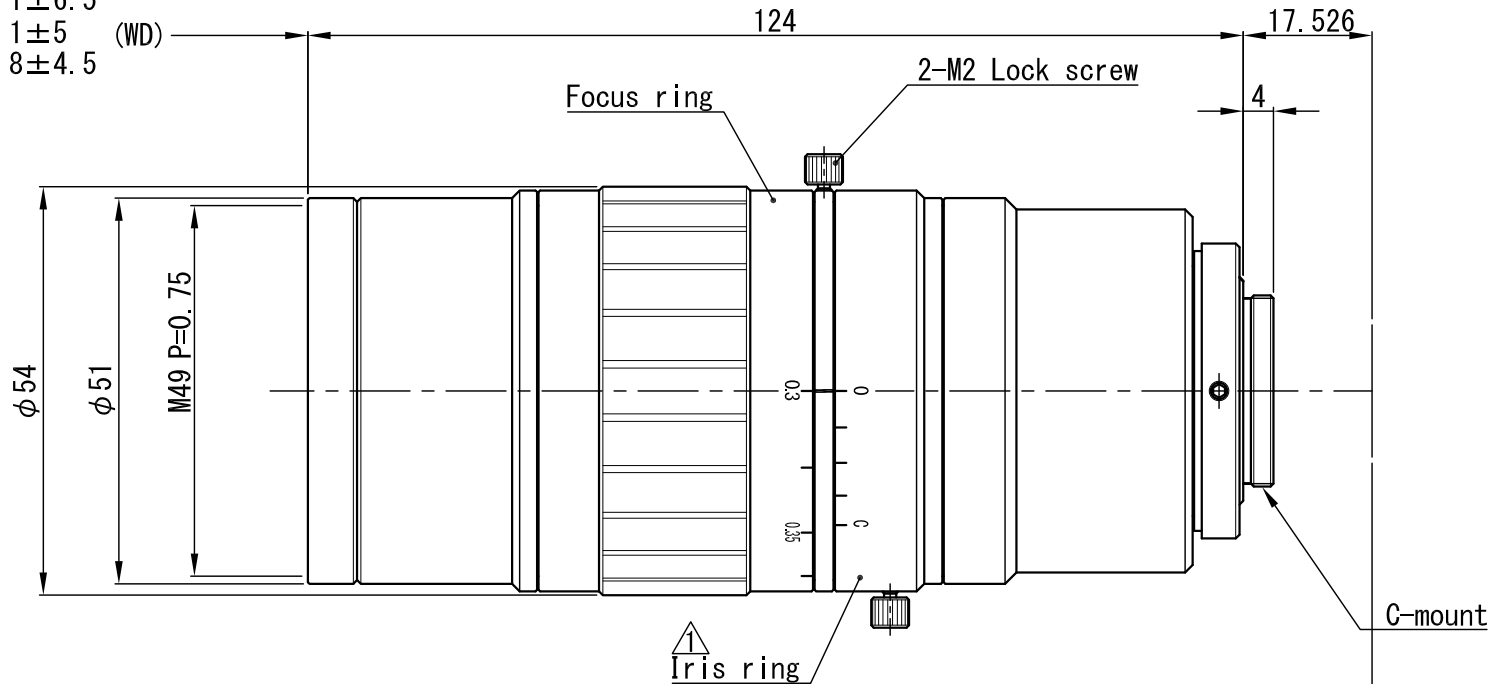


0.3X 212.1±6.5  
 0.35X 175.1±5 (WD)  
 0.4X 147.8±4.5



945 East 11<sup>th</sup> Avenue Tampa, FL 33605

Phone: (813) 984-0125

Contact: Sales@pyramidimaging.com

https://pyramidimaging.com

0.3X 353.6  
 0.35X 316.6 (O/I)  
 0.4X 289.3



△×				APPROVED	CHECKED	MATERIAL 材料	-	CHAMFER 一般面取	-	QUANTITY 個数				
△×				T. A.	T. A.	TREATMENT 処理	-	FINISHING 仕上	-	-				
△×						TREATMENT CONTACT 処理接点	-	DECENTRATION 偏芯	-					
△×				DESIGNED	DRAWN	OVER 250 UP TO 1000	±0.3 ±0.5 ±1.0 ±0.2	ANGLE 角度	METHOD 図法	REMARK 適用 (機種名)				
△×				T. A.	T. T.	OVER 63 UP TO 250	±0.2 ±0.3 ±0.6 ±0.15	UNIT (mm)	-	VS-TEC0304				
△× 1	Iris ring表記追加	19.03.03	T.F.			OVER 16 UP TO 63	±0.1 ±0.2 ±0.4 ±0.1				SCALE	1 / 1	NAME	DRAWING / 外觀図
NO.×箇所	REVISION 訂正事項	DATE	NAME			OVER 0 UP TO 16	±0.05 ±0.1 ±0.2 ±0.1				DATE	' 11.04.12	DRAW NO.	01010E0369A2
						TOLERANCES	A B C S							