

1.8in (46mm) LENS LENGTH AVAILABLE IN STANDARD ENCLOSURE
 EXTENDER KITS ARE AVAILABLE TO ACCOMMODATE LONGER LENSES

STANDARD LENS TUBE IS 1.06in (27mm) LONG.
 1.5in (38mm), 1.97in (50mm), 2.44in (62mm),
 3.5in (89mm), & 4.57in (116mm) ARE AVAILABLE

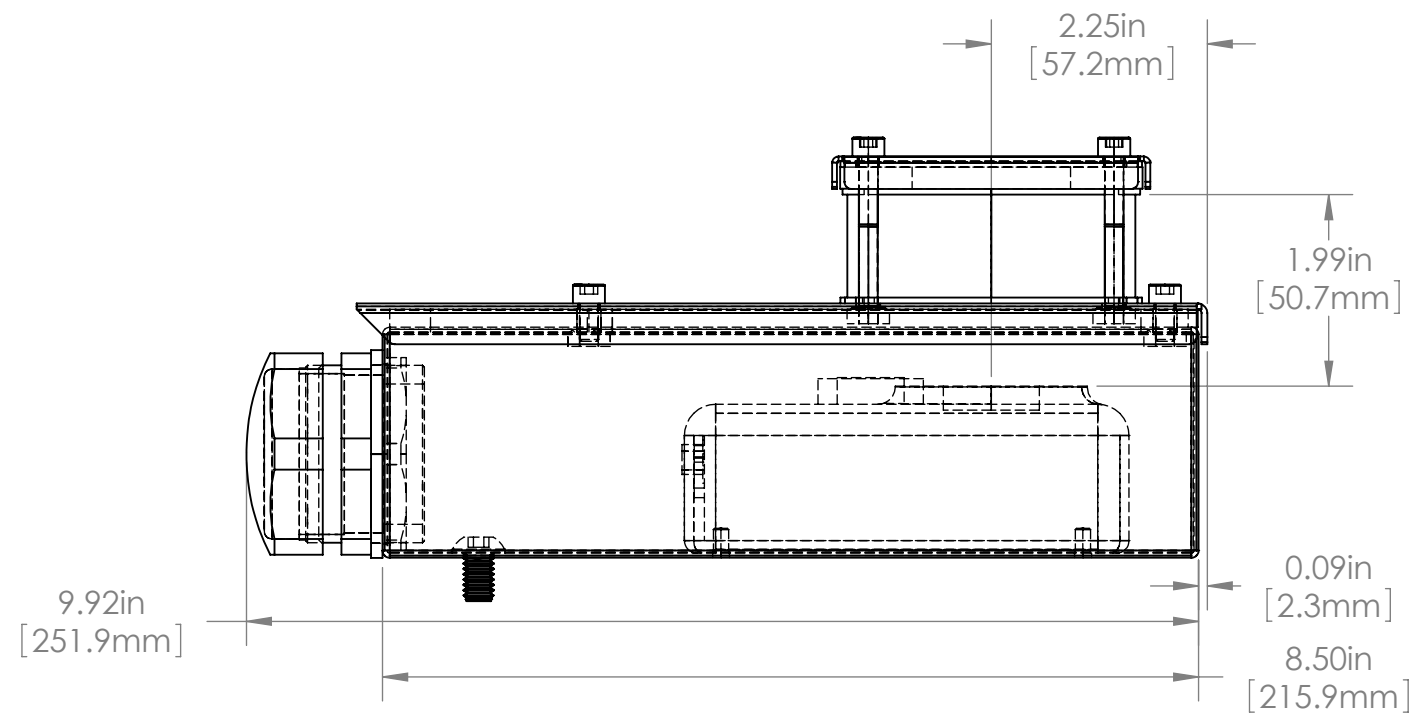
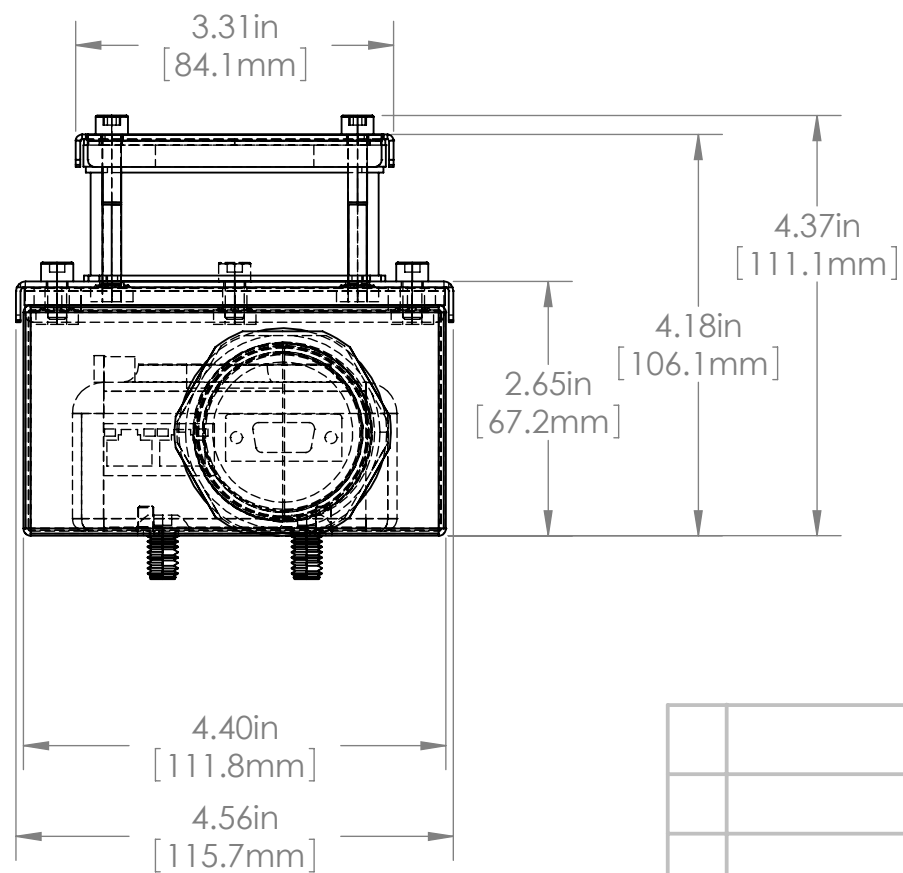
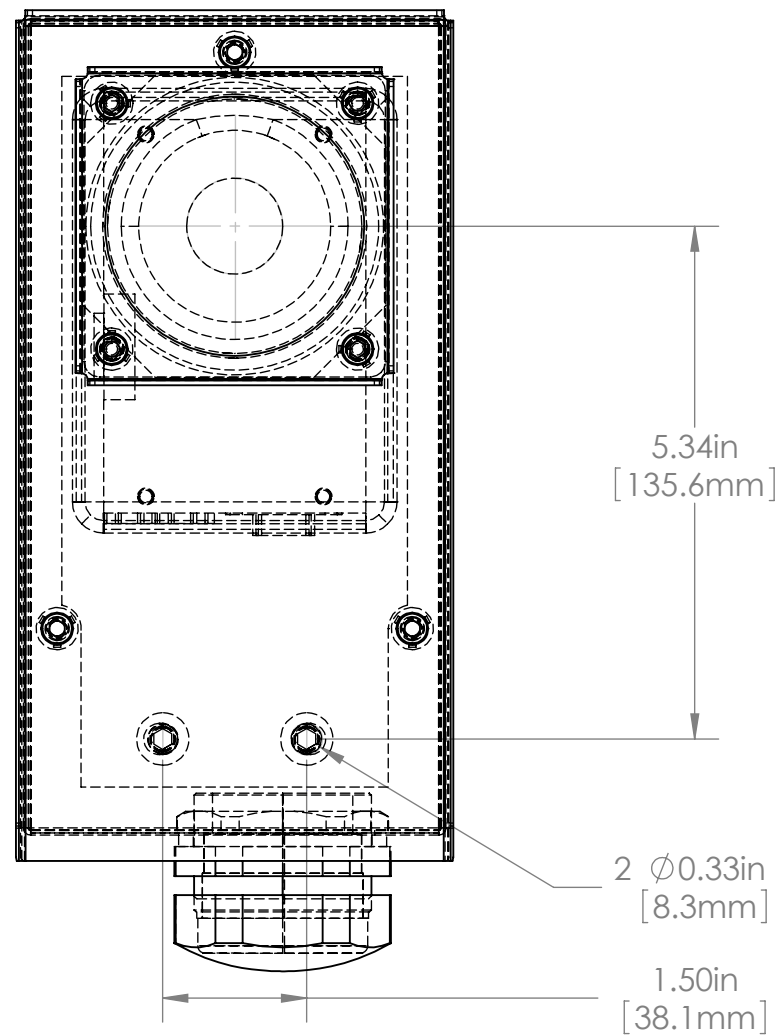
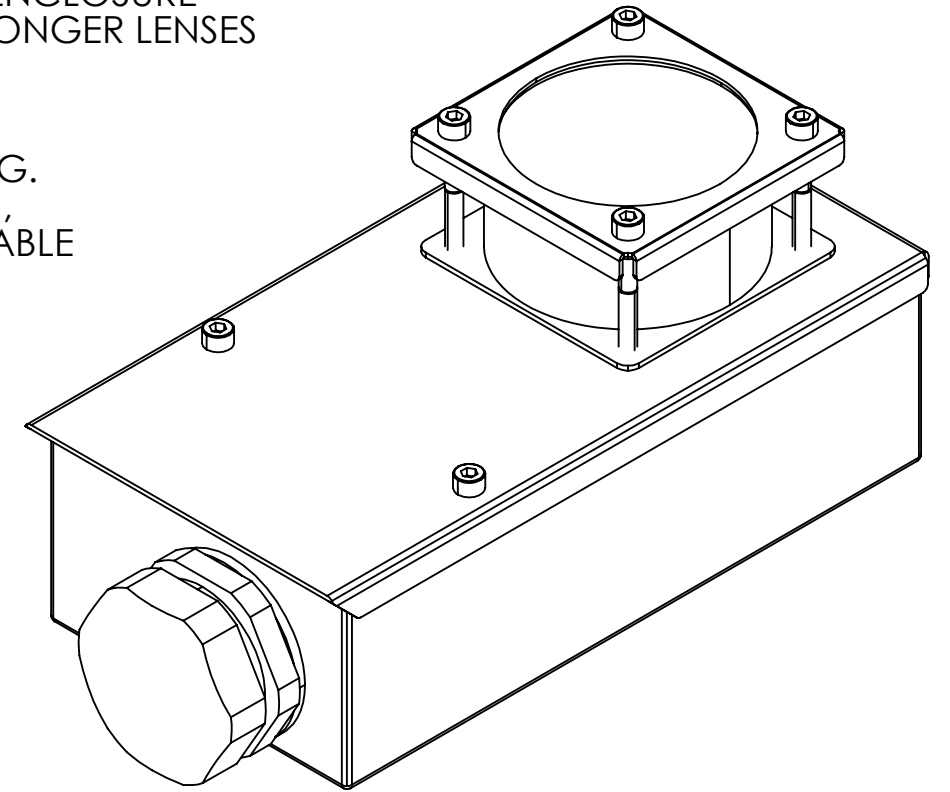


945 East 11th Avenue Tampa, FL 33605

Phone: (813) 984-0125

Contact: Sales@pyramidimaging.com

<https://pyramidimaging.com>



				UNLESS OTHERWISE SPECIFIED: DIMENSIONS ARE IN INCHES SURFACE FINISH: TOLERANCES: .000= +/- 0.005" .00= +/- 0.010"		FINISH: DEBUR AND BREAK SHARP EDGES		Allison Park Group, Inc. (APG) 4055 Alpha Drive Allison Park, PA 15101 USA		DO NOT SCALE DRAWING		REVISION	
				LINEAR:				Phone +1 (412) 487-8211 Fax +1 (412) 486-3157		This document is the property of APG and is considered company confidential. The information in this document is the property of APG and may not be used, reproduced, or distributed in whole or in part without the prior written permission of APG			
				DRAWN		NAME		SIGNATURE		DATE		TITLE:	
				SCHUBERT						7/20/2010		L15-AA ENCLOSURE DIMS	
				CHK'D									
				APPVD									
				MFG									
				Q.A									
				NOTES:									
				MATERIAL:				304 Stainless Steel		DWG NO.		L15-AA (SS)	
				WEIGHT:						SCALE: 1:5		A3	
NO. CHANGE				DATE INIT.				SHEET 1 OF 1					