

overview

- 4096 × 3068 px
- ams (CMOSIS) CMV12000
- APS-C CMOS
- 335 fps
- 10 GigE
- available



945 East 11th Avenue Tampa, FL 33605

Phone: (813) 984-0125

Contact: Sales@pyramidimaging.com

<https://pyramidimaging.com>



GEN<i>i>CAM



technical data

sensor information

sensor	ams (CMOSIS) CMV12000
resolution	4096 × 3068 px
exposure time	0,01 ... 1000 ms
color filter	RGB Bayer Mosaic
pixel size	5.5 × 5.5 μm
shutter type	Global shutter
sensor type	APS-C CMOS

acquisition formats

image formats, interface frame rate max.	Full Frame, 4096 × 3068 px, max. 92 fps
image formats, acquisition frame rate max. (Burst Mode)	Full Frame, 4096 × 3068 px, max. 335 fps
pixel formats	BayerGB8

image preprocessing

analog controls	Gain (0 ... 12 dB) Offset (0 ... 31 LSB 8 Bit)
color models	Raw Bayer
color processing	NA

camera features

synchronization	free running trigger
trigger sources	Hardware software
trigger delay	0 ... 2 sec, tracking and buffering of up to 256 trigger signals

camera features

sequencer	Automated control for series of images using different sets of parameters
sequencer parameter	exposure time gain factor output ROI Offset x ROI Offset y
digital inputs	2 inputs
digital outputs	2 outputs
internal image buffer	8192 MB

interfaces and connectors

data interface	10 Gigabit Ethernet, Transfer rate 10000 Mb/s, Gigabit Ethernet, Transfer rate 1000 Mb/s, connector: SACC-CI-M12FS-8CON-L180-10G
process interface / power supply	SACC-CI-M12MS-8CON-SH TOR 32 / 8 pins

mechanical data

lens mount	M58-mount (F-mount, M42, C-mount via adapter)
width	70 mm
height	70 mm
depth	99,15 mm
weight	≤ 640 g (M58-mount)
material	housing: aluminum

electrical data

voltage supply range +Vs	12 ... 24 V DC (external power supply)
power consumption	approx. 17,5 W @ 24 VDC

technical data

non-volatile memory

flash memory size 128 kB

environmental conditions

operating temperature +5 ... +65 °C @ T = measurement point

humidity 10 ... 90 % (non-condensing)

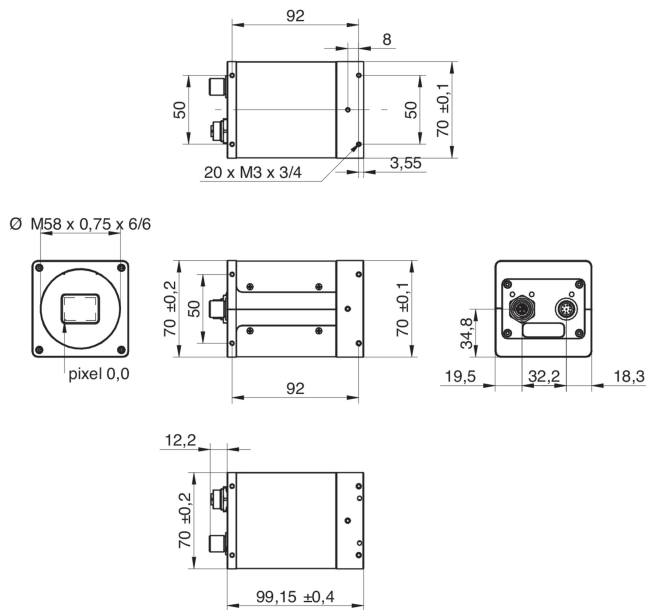
environmental conditions

protection class IP 40

conformity

conformity CE
RoHS
EAC

dimension drawing



945 East 11th Avenue Tampa, FL 33605

Phone: (813) 984-0125

Contact: Sales@pyramidimaging.com

<https://pyramidimaging.com>