

Standard Camera Configurations

Description	ID & Code	Datasheet
allPIXA-170 MPx/s-2048 Pixel - NH	CP000383-A-2048-C-C	pdf
allPIXA-170 MPx/s-2048 Pixel	CP000383-A-2048-S-C (on request)	pdf
allPIXA-170 MPx/s-4096 Pixel - NH	CP000383-A-4096-C-C	pdf
allPIXA-170 MPx/s-4096 Pixel - SNH (Height 95mm, compact design)	CP000383-A-4096-D-C	pdf
allPIXA-170 MPx/s-4096 Pixel	CP000383-A-4096-S-C (on request)	pdf
allPIXA-170 MPx/s-7300 Pixel - NH	CP000383-A-7300-C-C	pdf
allPIXA-170 MPx/s-7300 Pixel - SNH (Height 100mm, compact design)	CP000383-A-7300-E-C	pdf
allPIXA-170 MPx/s-7300 Pixel	CP000383-A-7300-W-C (on request)	pdf



allPIXA-170MPx/s-7300Pixel



allPIXA-170 MPx/s-4096 Pixel - NH

Pre-Defined Camera Systems

Description	Identification Number
allPIXA-170 MPx/s-4096 Pixel - NH - F-Mount	CP000475
allPIXA-170 MPx/s-4096 Pixel - F-Mount	CP000431 (on request)
allPIXA-170 MPx/s-4096 Pixel - SNH - F-Mount	CP000460-0018
allPIXA plus: Various Systems on request (OEM)	CP000460-xxx

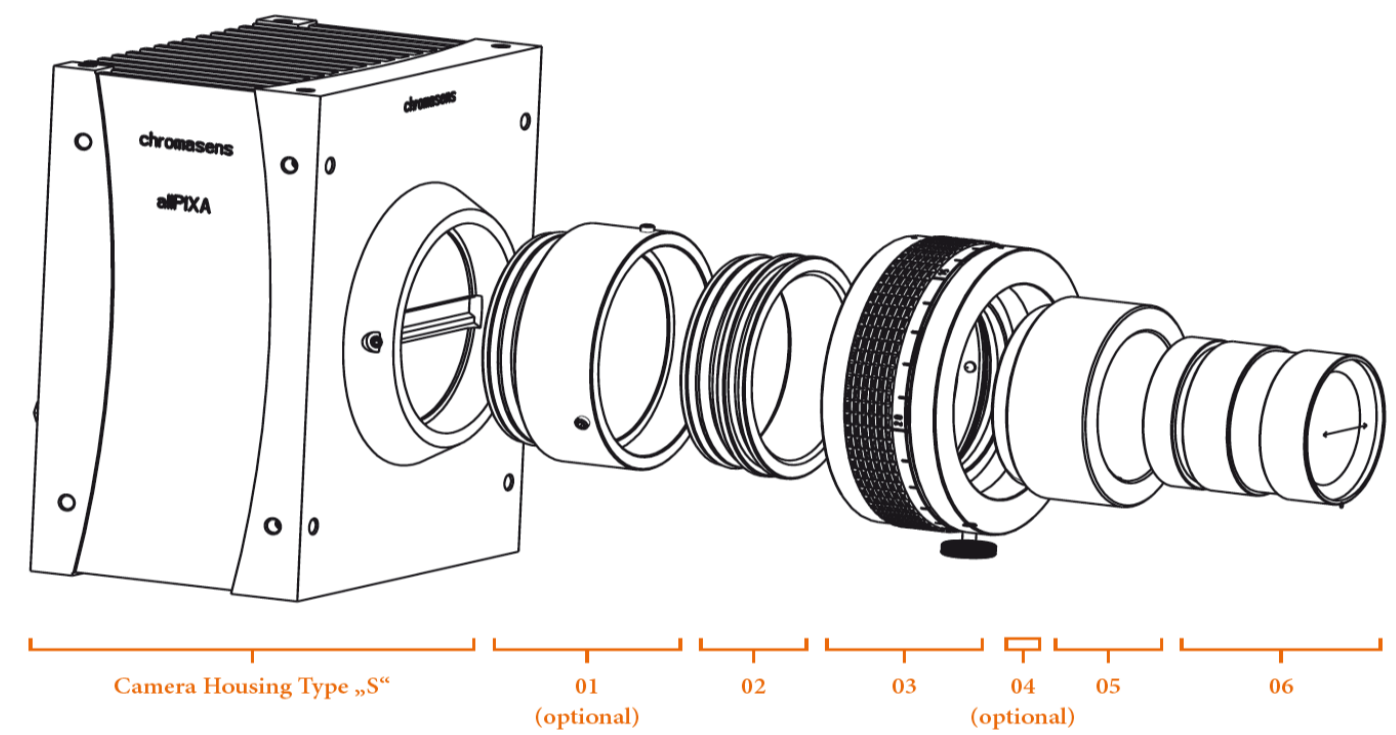
Accessories for 2k & 4k Camera Standard-Housing-Type S

allPIXA Tubes 4k	Identification Number	POS.	Datasheet
allPIXA-Tube-4k 20 mm	CP000389	01	pdf
allPIXA-Tube-4k 40 mm	CP000390	01	pdf
allPIXA-Tube-4k 60 mm	CP000391	01	pdf
allPIXA-Tube-4k 80 mm	CP000392	01	pdf
allPIXA-Tube-4k 100 mm	CP000393	01	pdf

allPIXA 4k direct mount Adapters	Identification Number	POS.	Datasheet
allPIXA F-Mount Adapter	CP000385	02	pdf
allPIXA C-Mount-Adapter	CP000387	02	pdf
allPIXA 4K-Adapter M42x1-A45,46	CP000434	02	pdf
allPIXA Adapter-MF (to Modular Focus)	CP000386	02	pdf
allPIXA Adapter-M42x0,75 (to Schneider Unifoc 58 (T2))	CP000461	02	pdf
allPIXA Adapter-V-Mount (to Schneider Unifoc 12(V-Mount))	CP000462	02	pdf

allPIXA 4k additional parts	Identification Number	POS.
Additional parts (custom specific)	only on request	03 - 06

Configuration Scheme: Accessories for 2k & 4k Camera S-Series

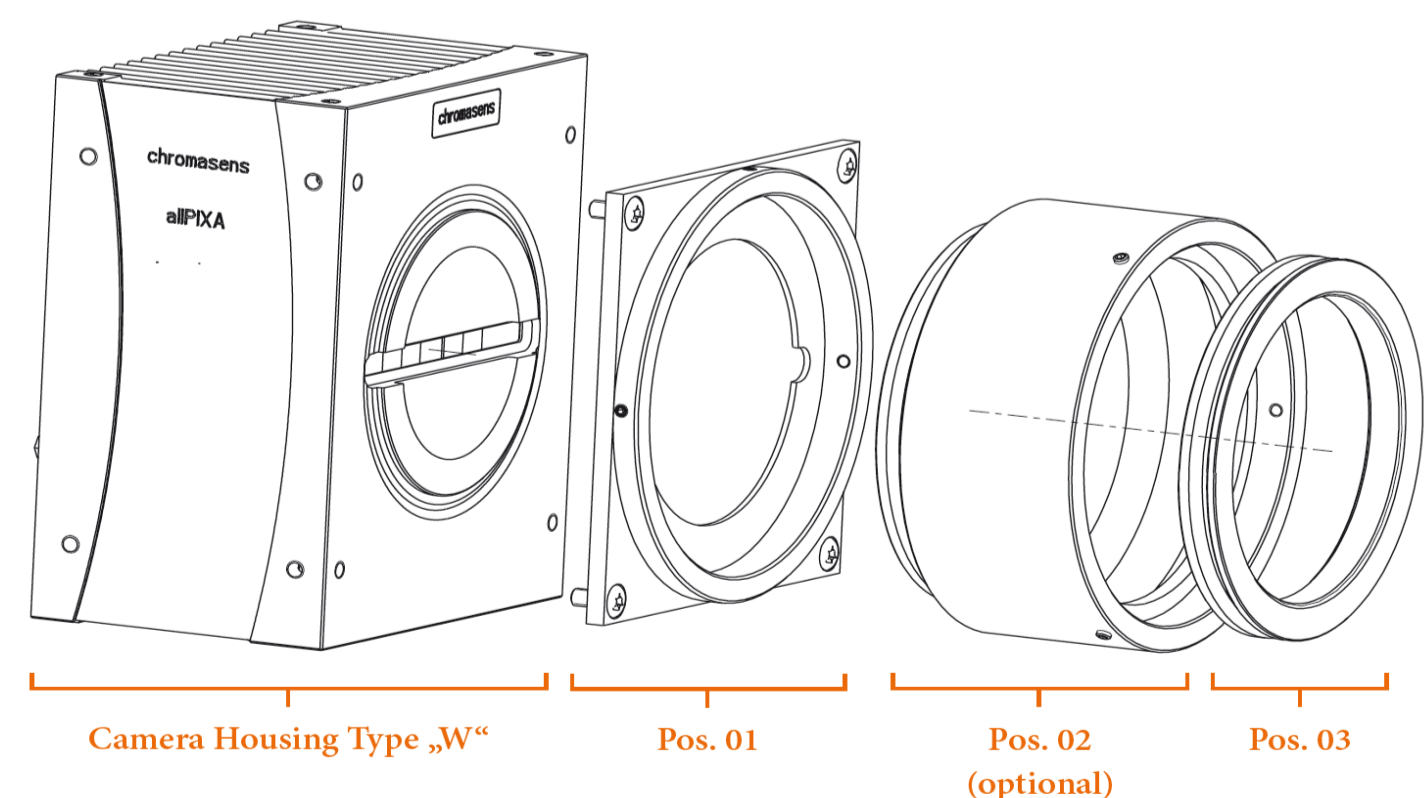

Accessories for 7k Camera Wide-Housing-Type W

allPIXA	Identification Number	POS.	Datasheet
Retrofit Adapter allPIXA (from camera to tube or adapters)	CP000388	01	pdf

allPIXA Tubes 7k	Identification Number	POS.	Datasheet
allPIXA-Tubus-7k 20 mm	CP000423	02	pdf
allPIXA-Tubus-7k 40 mm	CP000424	02	pdf
allPIXA-Tubus-7k 60 mm	CP000425	02	pdf
allPIXA-Tubus-7k 80 mm	CP000426	02	pdf
allPIXA-Tubus-7k 100 mm	CP000427	02	pdf

allPIXA 7k mount Adapters	Identification Number	POS.	Datasheet
Adapter - Modular Focus	CP000428	03	pdf
Adapter M72x0,75-RF	CP000457	03	pdf
allPIXA Adapter-M58x0,75 (to Schneider Unifoc 76)	CP000463	03	pdf

Configuration Scheme: Accessories for 7k Camera W-Series


General Accessories

allPIXA external cables	Identification Number
allPIXA Power Supply Cable (1,5 m)	CP000430
allPIXA Power Supply Cable (5,0 m)	CP000504
allPIXA Power Supply Connector only	CP000459
CameraLink Cables (industrial, several length, ect.)	on request


 945 East 11th Avenue Tampa, FL 33605

Phone: (813) 984-0125

Contact: Sales@pyramidimaging.com

<https://pyramidimaging.com>