

Lens Evetar M12B1618 F1.8 f16mm 1/2"



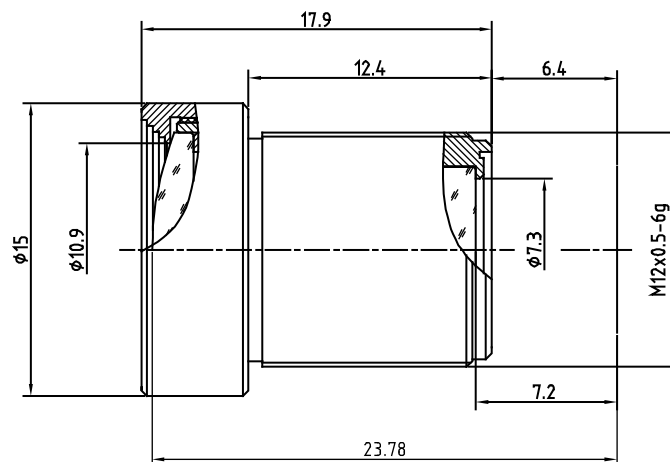
Order Numbers

- 2000036374** (without IR cut filter)
- 2000036375** (with IR cut filter)

Key Features

- S-mount lens with optimum price/performance ratio
- 1/2" lens with fixed focal length of 16.0 mm and fixed iris of f/1.8
- Available with IR cut filter (for color cameras) or without IR cut filter (for mono cameras)

Technical Specifications	
Image Circle	1/2"
Focal Length	16.0 mm
Aperture	f/1.8
Iris Type	fixed
MOD	350 mm
Resolution	MP
Angle of View (D / H / V)	27.8° / 22.3° / 16.8°
Back Focal Length	7.2 mm
Mount	M12x0.5-6g



(Dimensions in mm)