

Lens Evetar M13B02118 F1.8 f2.1mm 1/3"



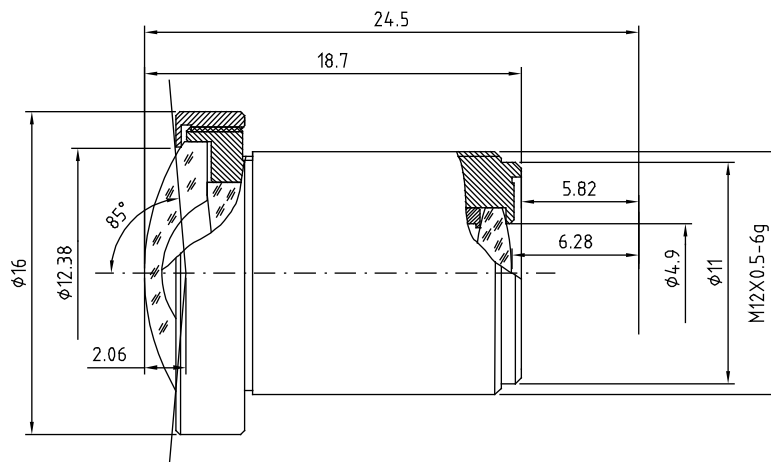
Order Numbers

- 2000036060** (without IR cut filter)
- 2000036061** (with IR cut filter)

Key Features

- S-mount lens with optimum price/performance ratio
- 1/3" lens with fixed focal length of 2.1 mm and fixed iris of f/1.8
- Available with IR cut filter (for color cameras) or without IR cut filter (for mono cameras)

Technical Specifications	
Image Circle	1/3"
Focal Length	2.1 mm
Aperture	f/1.8
Iris Type	fixed
MOD	200 mm
Resolution	MP
Angle of View (D / H / V)	170° / 130° / 96°
Back Focal Length	6.25 mm
Mount	M12x0.5-6g



(Dimensions in mm)