

Lens Evetar M13B02820 F2.0 f2.8mm 1/3"



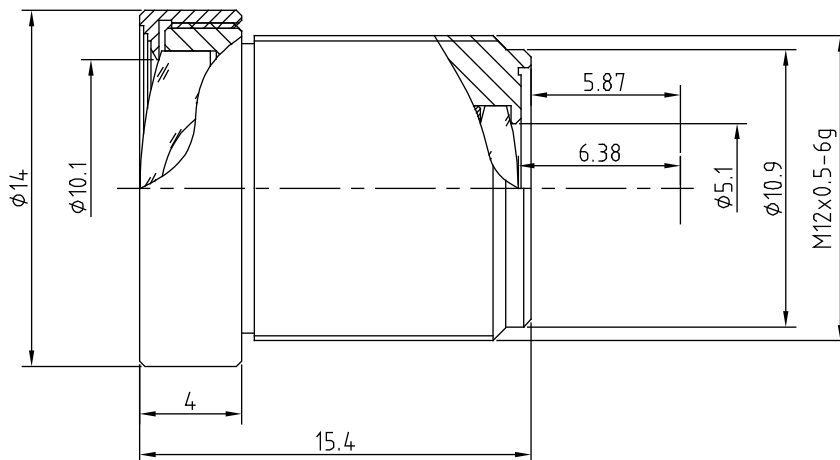
Order Numbers

- 2000035611 (without IR cut filter)
- 2000035612 (with IR cut filter)

Key Features

- S-mount lens with optimum price/performance ratio
- 1/3" lens with fixed focal length of 2.8 mm and fixed iris of f/2.0
- Available with IR cut filter (for color cameras) or without IR cut filter (for mono cameras)

Technical Specifications	
Image Circle	1/3"
Focal Length	2.8 mm
Aperture	f/2.0
Iris Type	fixed
MOD	100 mm
Resolution	MP
Angle of View (D / H / V)	125° / 100° / 73.5°
Back Focal Length	6.38 mm
Mount	M12x0.5-6g



(Dimensions in mm)