



945 East 11<sup>th</sup> Avenue Tampa, FL 33605

Phone: (813) 984-0125

Contact: Sales@ pyramidimaging.com

<https://pyramidimaging.com>

## Basler Accessories



### Technical Specification

#### TRIPOD MOUNT ace L GigE/USB

**Order Number**

**2200000191**

**2200000192**

Document Number: DG001923

Version: 03 Language: 000 (English)

Release Date: 26 November 2019

## **Contacting Basler Support Worldwide**

### **Europe, Middle East, Africa**

Basler AG  
An der Strusbek 60–62  
22926 Ahrensburg  
Germany

Tel. +49 4102 463 515  
Fax +49 4102 463 599

[support.europe@baslerweb.com](mailto:support.europe@baslerweb.com)

### **The Americas**

Basler, Inc.  
855 Springdale Drive, Suite 203  
Exton, PA 19341  
USA

Tel. +1 610 280 0171  
Fax +1 610 280 7608

[support.usa@baslerweb.com](mailto:support.usa@baslerweb.com)

### **Asia-Pacific**

Basler Asia Pte. Ltd.  
35 Marsiling Industrial Estate Road 3  
#05–06  
Singapore 739257

Tel. +65 6367 1355  
Fax +65 6367 1255

[support.asia@baslerweb.com](mailto:support.asia@baslerweb.com)

[www.baslerweb.com](http://www.baslerweb.com)

**All material in this publication is subject to change without notice and is copyright Basler AG.**

Order Number	Description	Applicable Cameras
2200000191	Tripod mount for connecting an ace L USB camera to a tripod	ace L USB 3.0
2200000192	Tripod mount for connecting an ace L GigE camera to a tripod	ace L GigE

Table 1: Tripod Mount Types

## Key Features

- 1 x standard 1/4"-20 TPI tripod mounting hole
- 4 x M2-threaded holes (hole pattern identical to an ace classic camera)  
These screw holes allow you to attach an ace L camera via the tripod mount to an existing fixture designed for an ace classic camera.
- 3 x M3-threaded holes for connecting tripod mount to camera
- 3 x cap head hexagon socket screws included  
These screws are required for connecting the camera to the tripod mount.

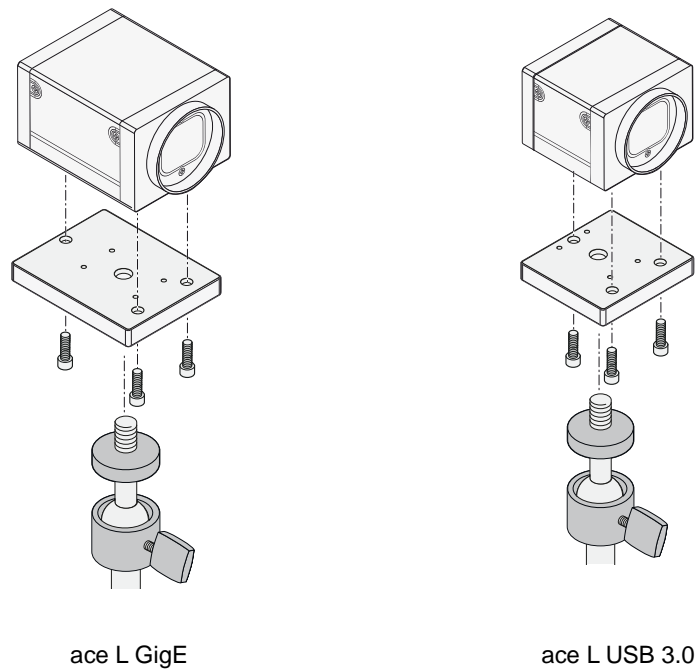


Fig. 1: Mounting an ace L Camera on a Tripod

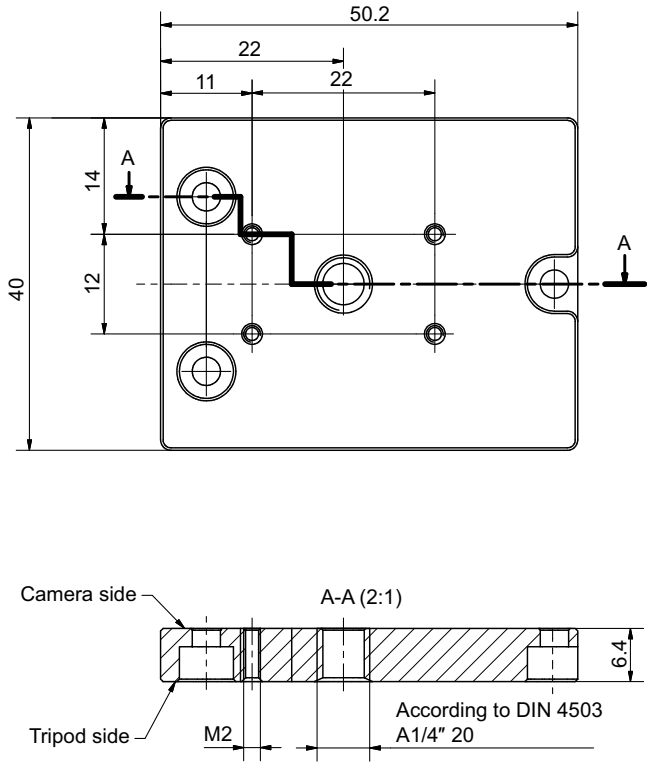


Fig. 2: ace L GigE Tripod Mount Dimensions (in mm)

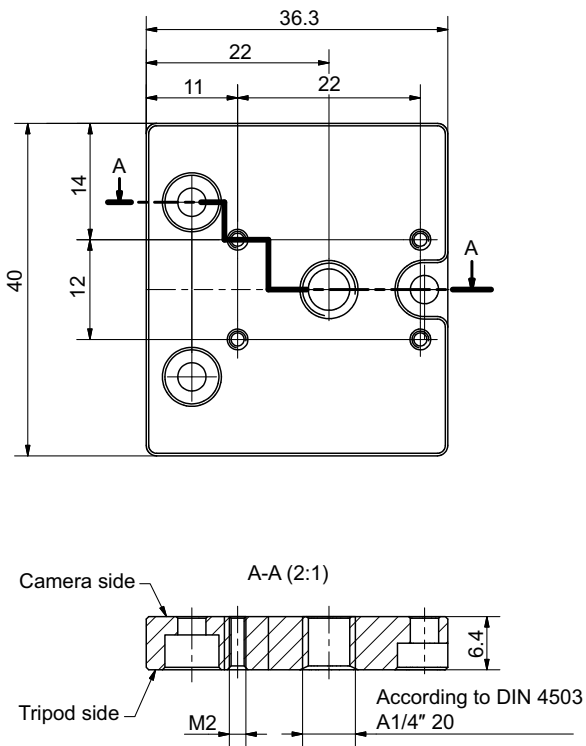


Fig. 3: ace L USB Tripod Mount Dimensions (in mm)

## General Information

RoHS Compliance	Yes
CE Conformity	No
Warranty	1 year

Table 2: General Information

For more information about the cameras' mounting holes, refer to the *Basler Product Documentation* (AW001406). It provides comprehensive information about installing and using the cameras.

You can download the *Basler Product Documentation* and related documents for your camera free of charge from the Basler website: [www.baslerweb.com](http://www.baslerweb.com)

## Revision History

Doc. ID Number	Date	Changes
DG00192301000	28 Sep 2017	Initial release of this document.
DG00192302000	20 Mar 2019	Internal release.
DG00192303000	26 Nov 2019	Corrected version number from previous release.



945 East 11<sup>th</sup> Avenue Tampa, FL 33605

Phone: (813) 984-0125

Contact: Sales@pyramidimaging.com

<https://pyramidimaging.com>