



945 East 11th Avenue Tampa, FL 33605

Phone: (813) 984-0125

Contact: Sales@ pyramidimaging.com

<https://pyramidimaging.com>

Basler Accessories



Technical Specification

TRIPOD MOUNT ace L GigE/USB

Order Number

2200000191

2200000192

Document Number: DG001923

Version: 03 Language: 000 (English)

Release Date: 26 November 2019

Contacting Basler Support Worldwide

Europe, Middle East, Africa

Basler AG
An der Strusbek 60–62
22926 Ahrensburg
Germany

Tel. +49 4102 463 515
Fax +49 4102 463 599

support.europe@baslerweb.com

The Americas

Basler, Inc.
855 Springdale Drive, Suite 203
Exton, PA 19341
USA

Tel. +1 610 280 0171
Fax +1 610 280 7608

support.usa@baslerweb.com

Asia-Pacific

Basler Asia Pte. Ltd.
35 Marsiling Industrial Estate Road 3
#05–06
Singapore 739257

Tel. +65 6367 1355
Fax +65 6367 1255

support.asia@baslerweb.com

www.baslerweb.com

All material in this publication is subject to change without notice and is copyright Basler AG.

Order Number	Description	Applicable Cameras
2200000191	Tripod mount for connecting an ace L USB camera to a tripod	ace L USB 3.0
2200000192	Tripod mount for connecting an ace L GigE camera to a tripod	ace L GigE

Table 1: Tripod Mount Types

Key Features

- 1 x standard 1/4"-20 TPI tripod mounting hole
- 4 x M2-threaded holes (hole pattern identical to an ace classic camera)
These screw holes allow you to attach an ace L camera via the tripod mount to an existing fixture designed for an ace classic camera.
- 3 x M3-threaded holes for connecting tripod mount to camera
- 3 x cap head hexagon socket screws included
These screws are required for connecting the camera to the tripod mount.

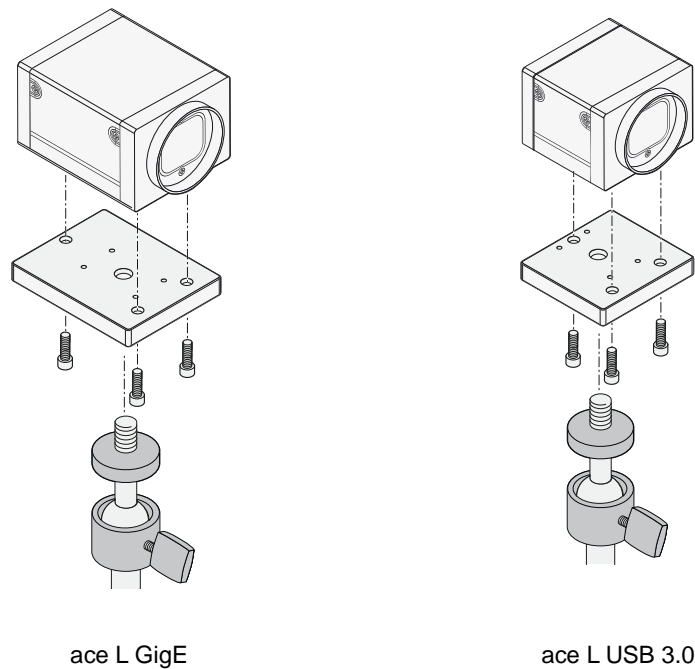


Fig. 1: Mounting an ace L Camera on a Tripod

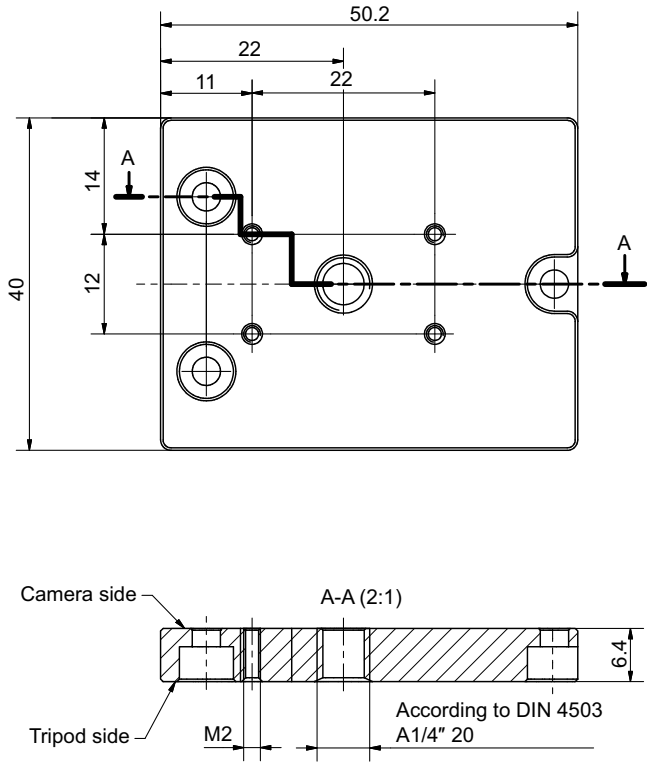


Fig. 2: ace L GigE Tripod Mount Dimensions (in mm)

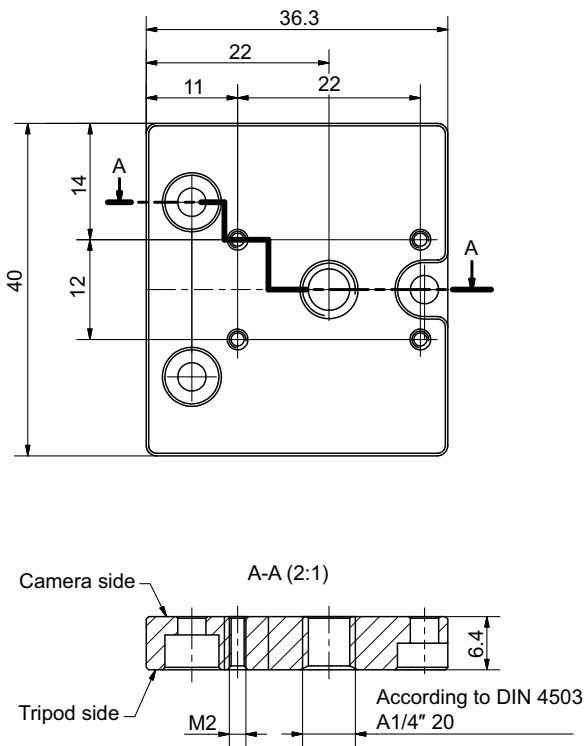


Fig. 3: ace L USB Tripod Mount Dimensions (in mm)

General Information

RoHS Compliance	Yes
CE Conformity	No
Warranty	1 year

Table 2: General Information

For more information about the cameras' mounting holes, refer to the *Basler Product Documentation* (AW001406). It provides comprehensive information about installing and using the cameras.

You can download the *Basler Product Documentation* and related documents for your camera free of charge from the Basler website: www.baslerweb.com

Revision History

Doc. ID Number	Date	Changes
DG00192301000	28 Sep 2017	Initial release of this document.
DG00192302000	20 Mar 2019	Internal release.
DG00192303000	26 Nov 2019	Corrected version number from previous release.



945 East 11th Avenue Tampa, FL 33605

Phone: (813) 984-0125

Contact: Sales@pyramidimaging.com

<https://pyramidimaging.com>