



945 East 11<sup>th</sup> Avenue Tampa, FL 33605

Phone: (813) 984-0125

Contact: Sales@ pyramidimaging.com

<https://pyramidimaging.com>



**Basler**

## **Technical Specification**

**Tripod Mount Basler ace**

**for ace**

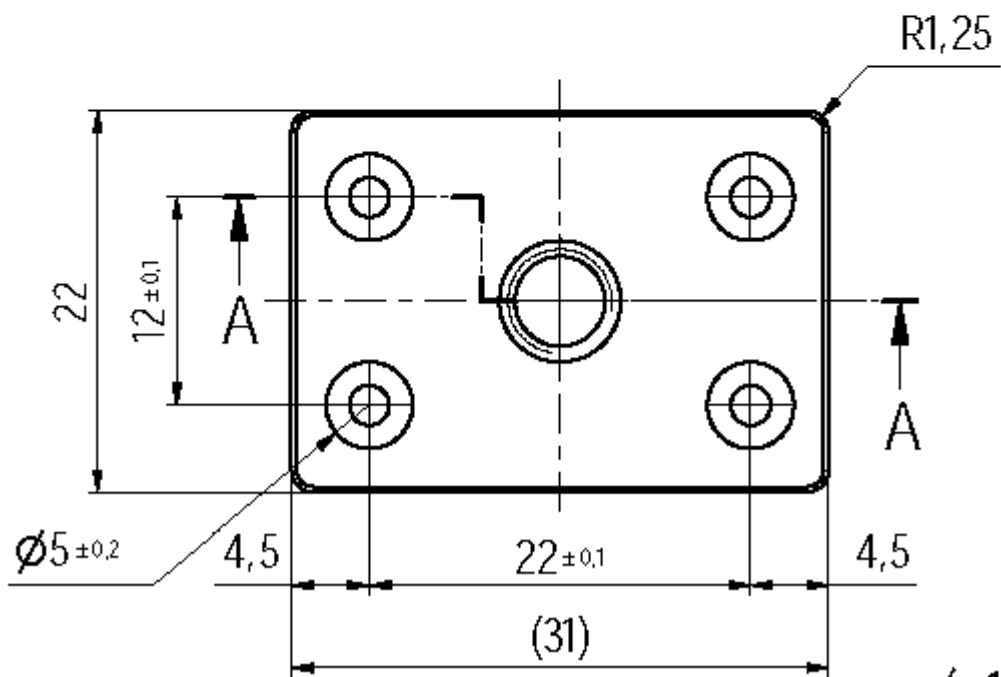
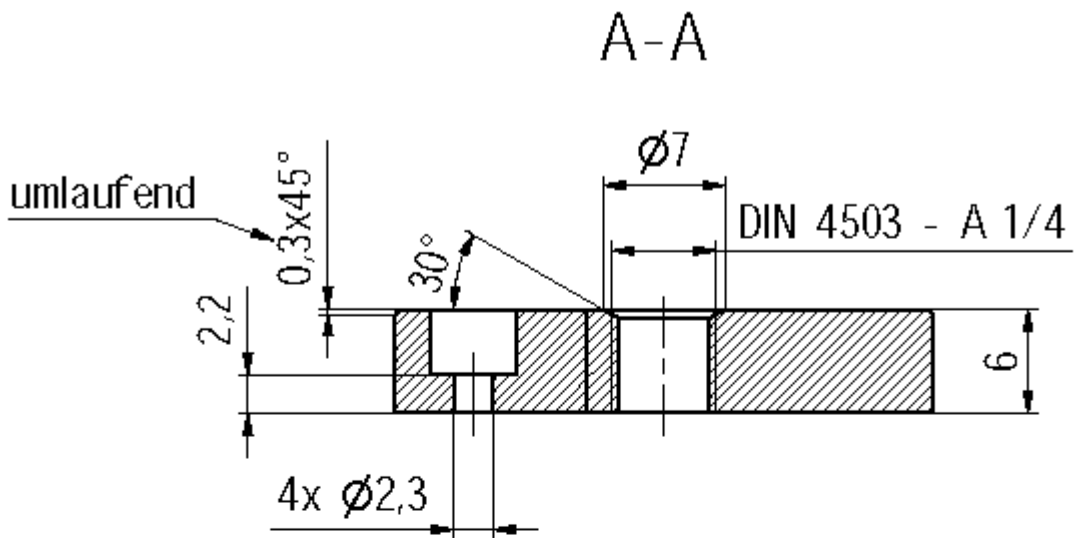
**Order Number 2000029679**

**Basler AG**

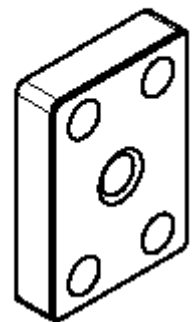
**An der Strusbek 60-62**

**22926 Ahrensburg, Germany**

Drawing



(1 : 1)



## Contacting Basler Support Worldwide

### Europe:

Basler AG  
An der Strusbek 60 - 62  
22926 Ahrensburg  
Germany

Tel.: +49-4102-463-500  
Fax.: +49-4102-463-599

[bc.support.europe@baslerweb.com](mailto:bc.support.europe@baslerweb.com)

### Americas:

Basler, Inc.  
855 Springdale Drive, Suite 160  
Exton, PA 19341  
U.S.A.

Tel.: +1-877-934-8472  
Fax.: +1-610-280-7608

[bc.support.usa@baslerweb.com](mailto:bc.support.usa@baslerweb.com)

### Asia:

Basler Asia Pte. Ltd.  
8 Boon Lay Way  
# 03 - 03 Tradehub 21  
Singapore 609964

Tel.: +65-6425-0472  
Fax.: +65-6425-0473

[bc.support.asia@baslerweb.com](mailto:bc.support.asia@baslerweb.com)

[www.baslerweb.com](http://www.baslerweb.com)

**All material in this publication is subject to change without notice and is copyright Basler Vision Technologies.**



945 East 11<sup>th</sup> Avenue Tampa, FL 33605

Phone: (813) 984-0125

Contact: [Sales@pyramidimaging.com](mailto:Sales@pyramidimaging.com)

<https://pyramidimaging.com>