

VC-25MX-M/C 91 I

25 Megapixel High Speed CMOS Digital Camera



CoaxPress®

The VC-25MX-91 I, the latest model of the industrial proven VC series, is a new 25 megapixel resolution CMOS camera with the CoaxPress interface. The VC-25MX-91 I uses the latest CMOS global shutter image sensor (GMAX0505) technology from Gpixel and offers up to 91.3 frames per second at 5120 × 5120 resolution. These combinations of high resolution, high speed and global shutter set a new standard for industrial, scientific and surveillance digital imaging applications. Customers in the industrial market can take advantage of common coax cabling to transmit images at rates and distance above and beyond previous standards. This high speed and high resolution camera is ideal for wide range of demanding applications such as FPD, PCB and semiconductor inspections.

VIEWWORKS

www.viewworks.com

VC-25MX-M/C 91 I

25 Megapixel High Speed CMOS Digital Camera

Main Features

- 25 Megapixel Resolution
- CoaXPress Interface up to 91.3 fps at 25 Gbps using 4 CH
- Global Shutter CMOS Technology
- DSNU and PRNU Correction
- Flat Field Correction
- Dynamic Defective Pixel Correction
- GenICam Compatible – XML based Control

Applications

- Flat Panel Display Inspection
- Electronics Inspection
- Semiconductor Inspection
- Document / Film Scanning

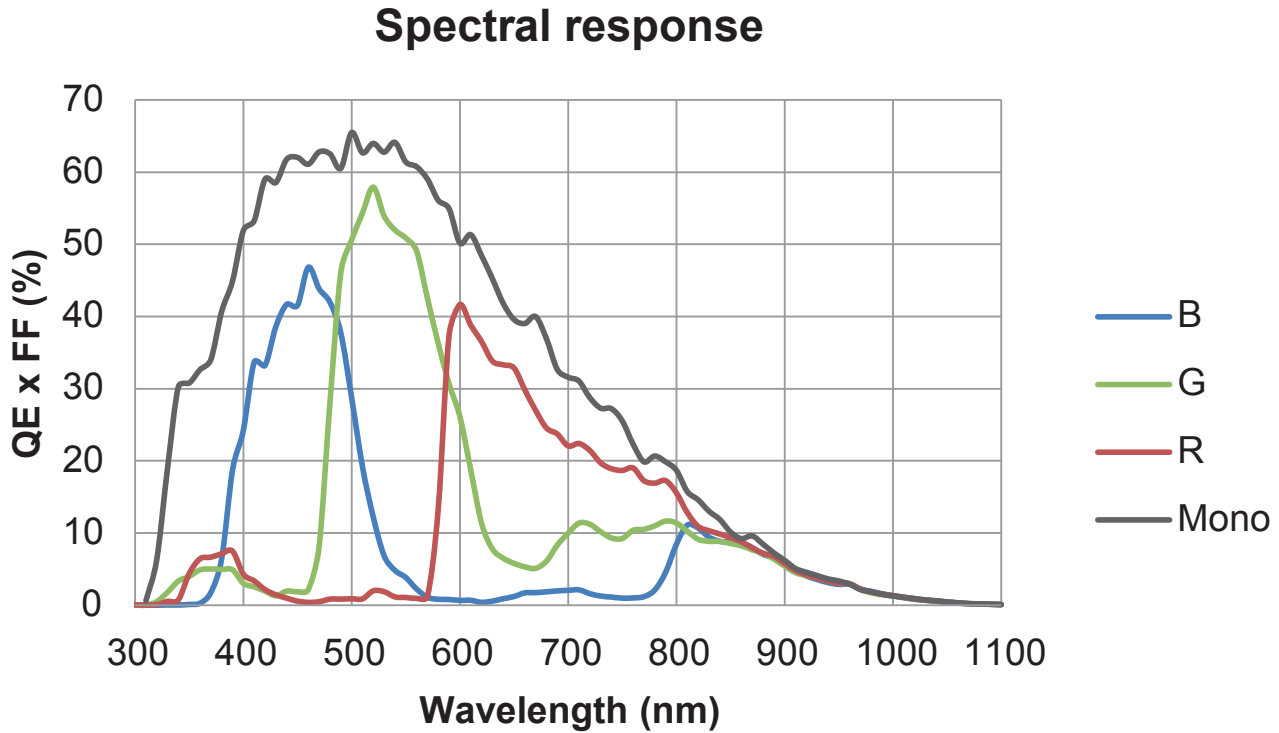
Specifications

Model	VC-25MX-M/C 91 I	
Resolution (H × V)	5120 × 5120	
Sensor	Gpixel GMAX0505	
Sensor Size (Diagonal)	12.8 mm × 12.8 mm (18.1 mm)	
Pixel Size	2.5 μm × 2.5 μm	
Interface	CoaXPress	
Max. Frame Rate	1 CH: 23.2 fps	
	2 CH: 46.5 fps	
	4 CH: 91.3 fps	
Exposure Time (1 μs step)	1 μs – 60 s	
Partial Scan (Max. Speed)	14260 fps at 64 × 2	
Pixel Data Format	Mono	Mono 8 / Mono 10
	Color	GB Bayer 8 / GB Bayer 10
Electronic Shutter	Global Shutter	
Trigger Synchronization	Free-Run, Hardware Trigger, Software Trigger or CXP	
External Trigger	3.3 V ~ 24.0 V, 10 mA, Logical Level Input, Optically Isolated	
Software Trigger	Asynchronous, Programmable via Camera API	
Dynamic Range	60 dB	
Gain Control	1 × ~ 32 ×	
Black Level Control	0 ~ 63 LSB at 10 bit	
Dimension / Weight	50 mm × 50 mm × 57 mm, 215 g (with C mount)	
Temperature	Operating: 0°C ~ 40°C, Storage: -40°C ~ 70°C	
Lens Mount	C-mount, Custom mount available upon request	
Power	External	11 ~ 24 V DC
	Dissipation	Typ. 10.0 W
	PoCXP	24 V DC, CH 1 only
Compliance	CE, FCC, KC	
API SDK	Vieworks Imaging Solution 7.X	

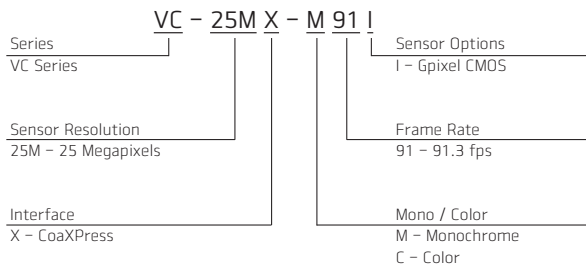
VC-25MX-M/C 91 I

25 Megapixel High Speed CMOS Digital Camera

Spectral Response



Ordering Scheme



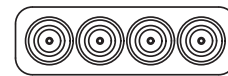
Connector Specification

Power / Control



- 1: DC Ground
- 2: +12 V DC
- 3: I/O Output-
- 4: I/O Output+
- 5: Trigger IN-
- 6: Trigger IN+
- 7~12: Not Connected (HR10A-10R-12PB)

Data Transfer / Communications



CH1: Master Connection (75 Ω, DIN 1.0/2.3)

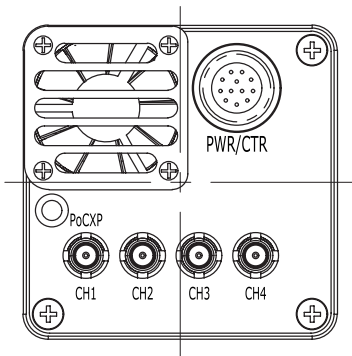
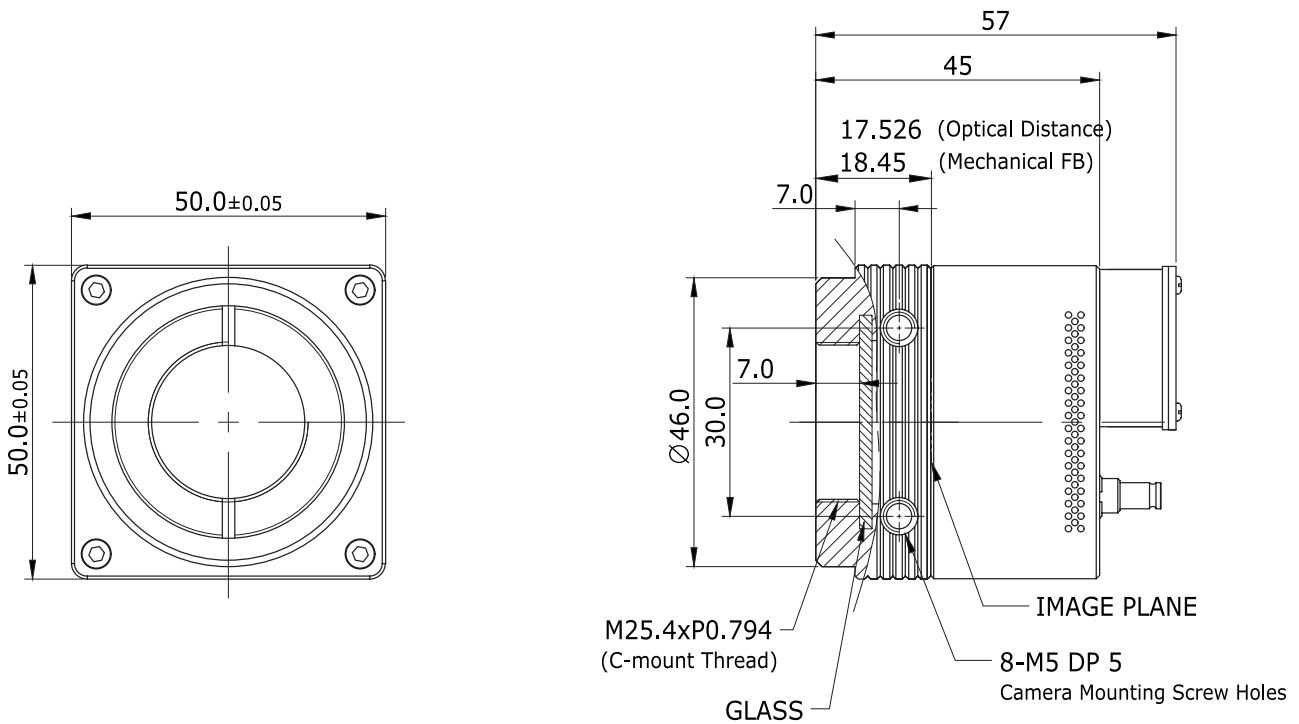
Connectors on camera body

VC-25MX-M/C 91 I

25 Megapixel High Speed CMOS Digital Camera

Mechanical Dimensions

Unit: mm



945 East 11th Avenue Tampa, FL 33605

Phone: (813) 984-0125

Contact: Sales@pyramidimaging.com

<https://pyramidimaging.com>