

# VL-8K7C-M80F-2 VL-16K3.5C-M40F-1

High Sensitivity & High Speed Line Scan Cameras



945 East 11<sup>th</sup> Avenue Tampa, FL 33605

Phone: (813) 984-0125

Contact: Sales@pyramidimaging.com

<https://pyramidimaging.com>



The VL Series offers two different high-resolution line scan camera models with 8k and 16k CMOS sensors delivering greater speed and more sensitivity than ever before. The VL-16K3.5C-M40F-1 delivers a maximum line rate of 40 kHz at 16k resolution. Even higher line rate, up to 77 kHz at 8k resolution can be achieved using the VL-8K7C-M80F-2 camera. All VL camera models have exposure control with 100× anti-blooming. This camera series is ideal for demanding applications such as flat panel display inspection, printed circuit board inspection, and high-performance document scanning.

## VIEWORKS

[www.vieworks.com](http://www.vieworks.com)

# VL-8K7C-M80F-2 / VL-16K3.5C-M40F-1

High Sensitivity & High Speed Line Scan Cameras

## Main Features

- CMOS Line Scan
- Up to 77 kHz at 8k Resolution /  
Up to 40 kHz at 16k Resolution
- CMOS Dual Line Scan Technology (VL-8K7C-M80F-2)
- 100× Anti-blooming
- Exposure Control
- Pre-emphasis Function
- Programmable User Setting Commands

## Applications

- Flat Panel Display Inspection
- Printed Circuit Board Inspection
- High Performance Document Scanning
- Printing and Packaging System

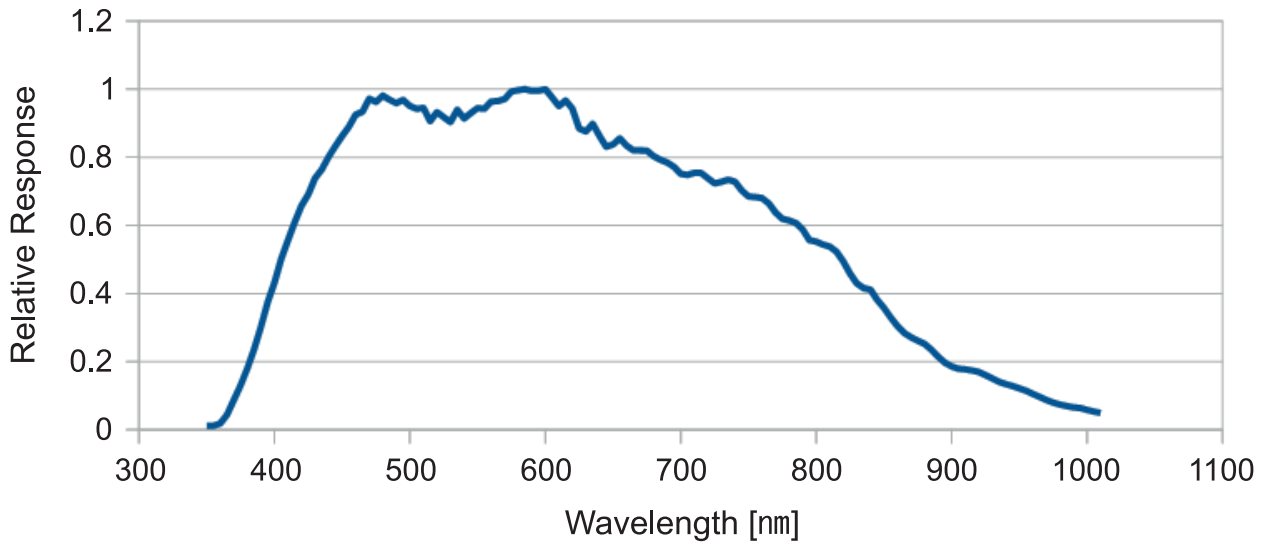
## Specifications

Model	VL-8K7C-M80F-2	VL-16K3.5C-M40F-1
Resolution (H × V)	8192 × 2	16384 × 1
Sensor (AMS)	Dragster DR-2x8k-7	Dragster DR-16k-3.5
Sensor Type	Linear CMOS	
Pixel Size	7.0 μm × 7.0 μm	3.5 μm × 3.5 μm
Sensor Output	2 / 4 / 8 Tap	
Interface	Camera Link Base / Medium / Full, 26-pin MDR Connector	
Max. Line Rate	77 kHz	40 kHz
Exposure time	2.00 μs ~ 10000.00 μs (0.01 μs step)	
Pixel Data Format	8 bit (2 / 4 / 8 Tap) / 10 bit (2 / 4 Tap) / 12 bit (2 / 4 Tap)	
Data Output Pixel Clock Speed	85 MHz	
Dual Line Mode	Supported	N/A
Acquisition Mode	Single Line / Dual Line	Single Line
Image Direction	CC3 or Programmable	N/A
Trigger Synchronization	Free-Run, External Sync, External Sync Converter	
Dynamic Range	66 dB	64 dB
Gamma Correction	User Defined Lookup Table (LUT)	
Black Level	0 ~ 2048 LSB at 12 bit	
Digital Gain	1.00× ~ 32.00×	
Max. Cable Length	10 m (@ 85 MHz, Standard Camera Link Cable)	
Lens Mount	M72 × 0.75 mm (Sensor to Camera Front: 12 mm)	
Dimension / Weight	80 mm × 80 mm × 54 mm / 420 g	
Temperature	Ambient Operating: 0°C ~ 40°C (Housing: 0°C ~ 60°C), Storage: -40°C ~ 70°C	
Power	External	8 ~ 28 V DC
	Dissipation	Typ. 8.0 W
Compliance	CE, FCC, KC	
Configuration Software	Configurator	

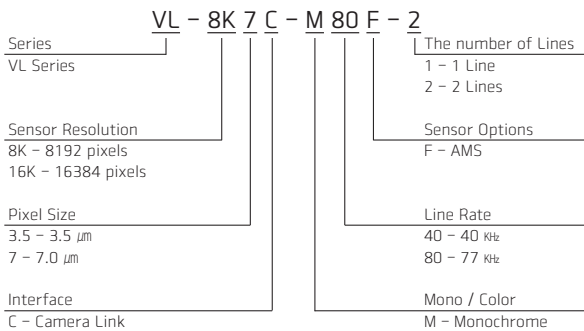
# VL-8K7C-M80F-2 / VL-16K3.5C-M40F-1

High Sensitivity & High Speed Line Scan Cameras

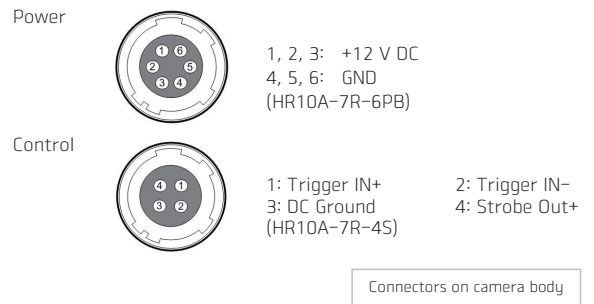
## Spectral Response



## Ordering Scheme



## Connector Specification

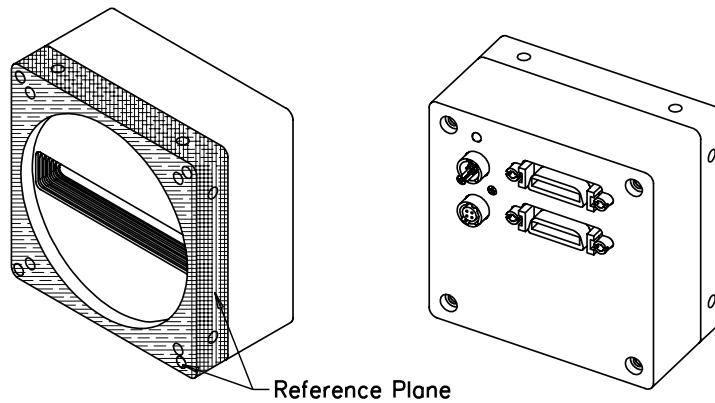
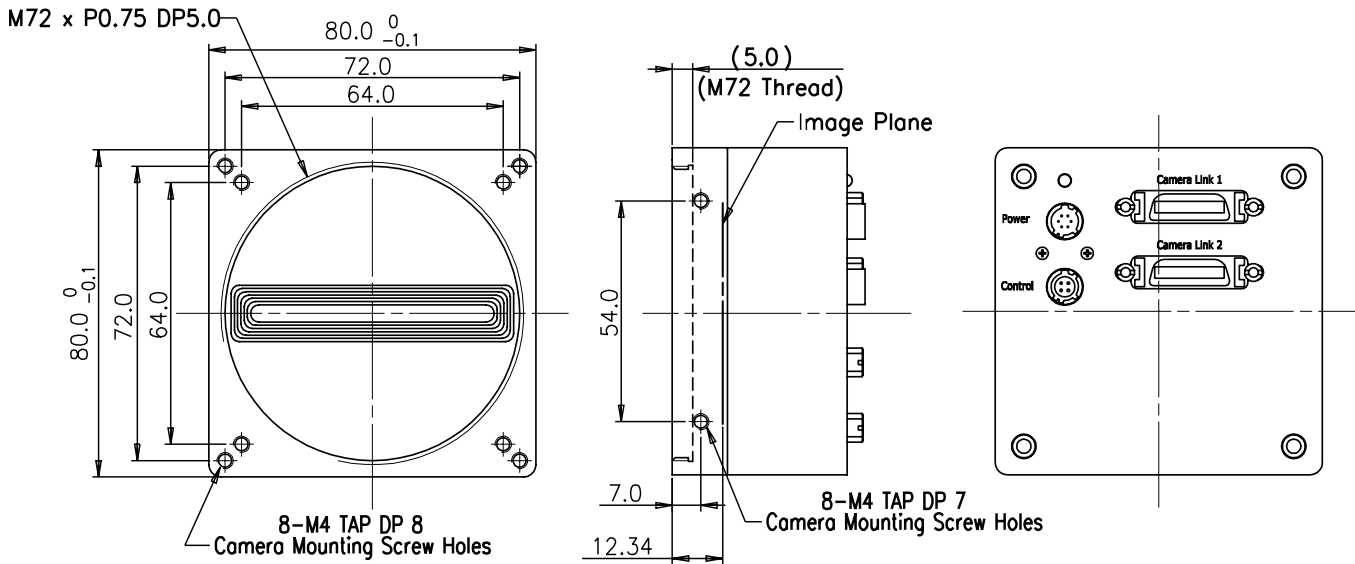


# VL-8K7C-M80F-2 / VL-16K3.5C-M40F-1

High Sensitivity & High Speed Line Scan Cameras

## Mechanical Dimensions

Unit: mm



945 East 11<sup>th</sup> Avenue Tampa, FL 33605

Phone: (813) 984-0125

Contact: Sales@pyramidimaging.com

<https://pyramidimaging.com>