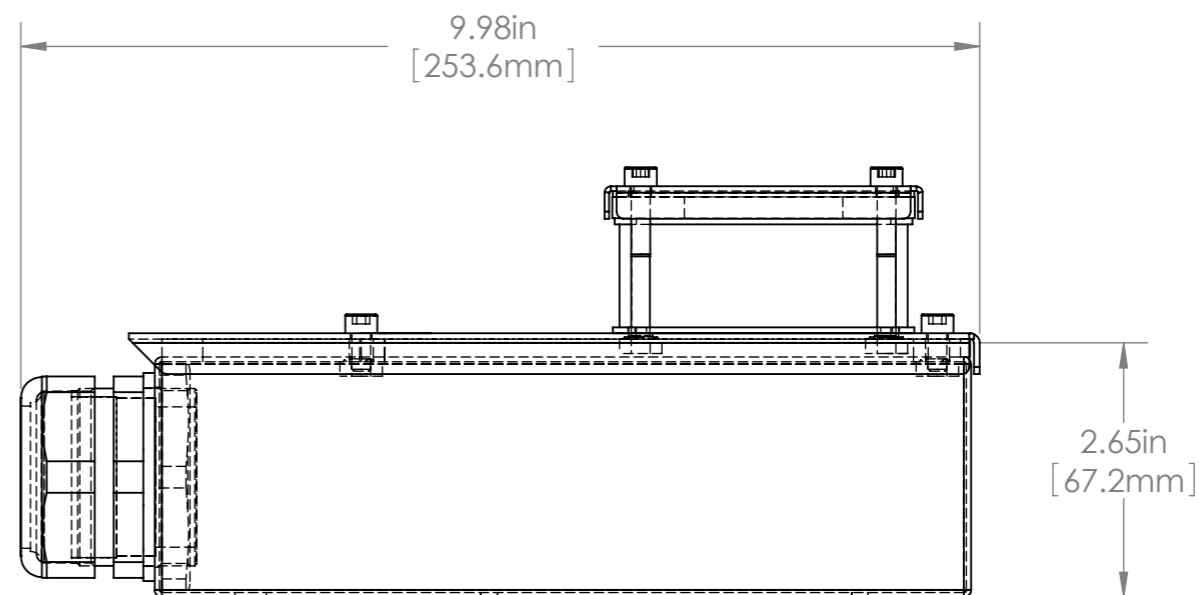
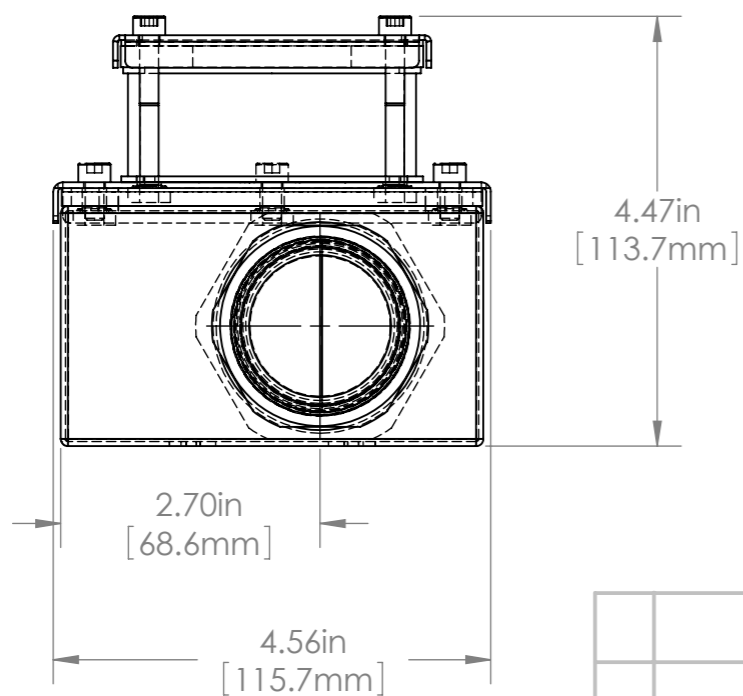
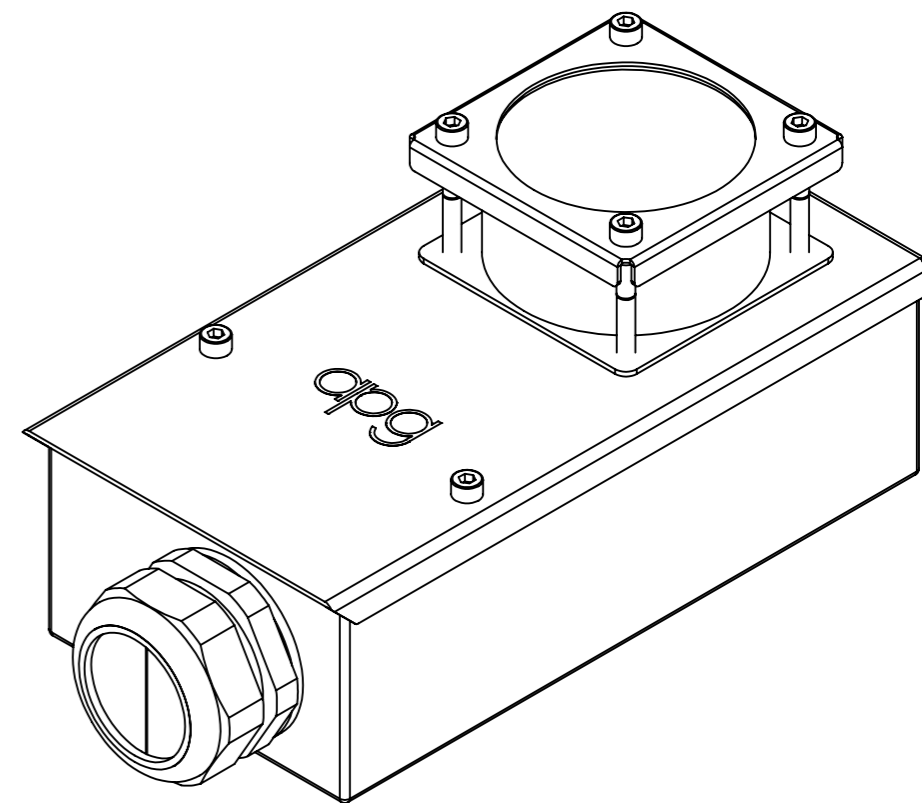
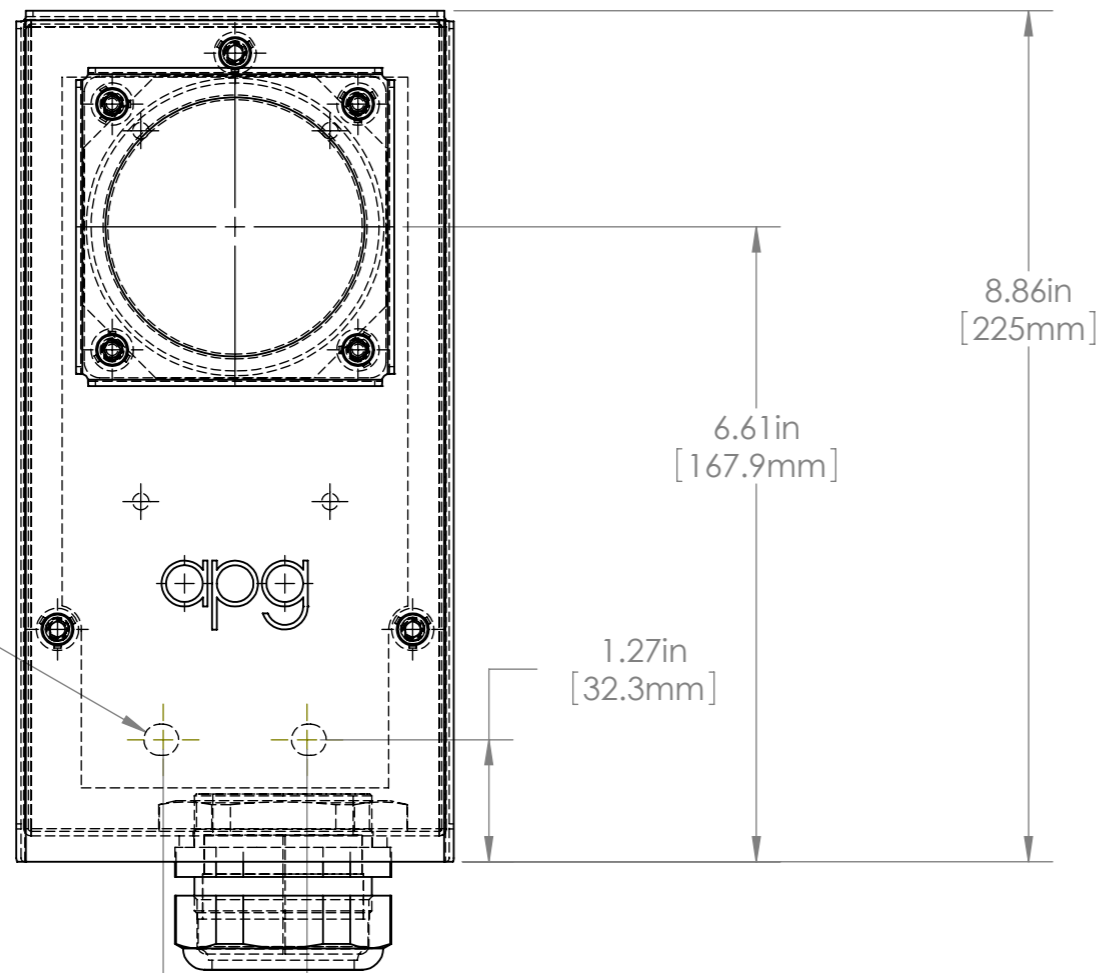




**Pyramid Imaging**

945 East 11th Avenue Tampa, FL 33605  
 sales@pyramidimaging.com  
 www.pyramidimaging.com  
 813-786-3785

2  $\varnothing$ 0.33in  
 [8.3mm]  
 MOUNTING HOLES



				UNLESS OTHERWISE SPECIFIED: DIMENSIONS ARE IN INCHES SURFACE FINISH: TOLERANCES: .000= +/- 0.005" .00= +/- 0.010"	FINISH: DEBUR AND BREAK SHARP EDGES	Allison Park Group, Inc. (APG) 4055 Alpha Drive Allison Park, PA 15101 USA  Phone +1 (412) 487-8211 Fax +1 (412) 486-3157  www.apgvision.com	DO NOT SCALE DRAWING	REVISION
				LINEAR:			This document is the property of APG and is considered company confidential. The information in this document is the property of APG and may not be used, reproduced, or distributed in whole or in part without the prior written permission of APG.	TITLE:
				NAME	SIGNATURE	DATE	L15-BA ASSY DIMS	
				DRAWN	SCHUBERT	8/30/2010		
				CHK'D				
				APPVD				
				MFG				
				Q.A				
				NOTES:			MATERIAL:	DWG NO.
							316 Stainless Steel	L15-BA
							WEIGHT:	SCALE: 1:5
								SHEET 1 OF 1
NO.	CHANGE	DATE	INIT.					A3