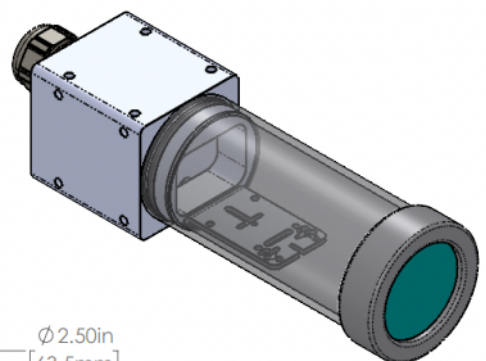
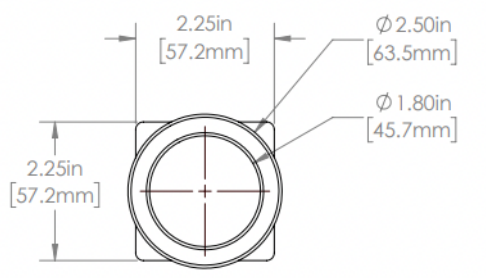
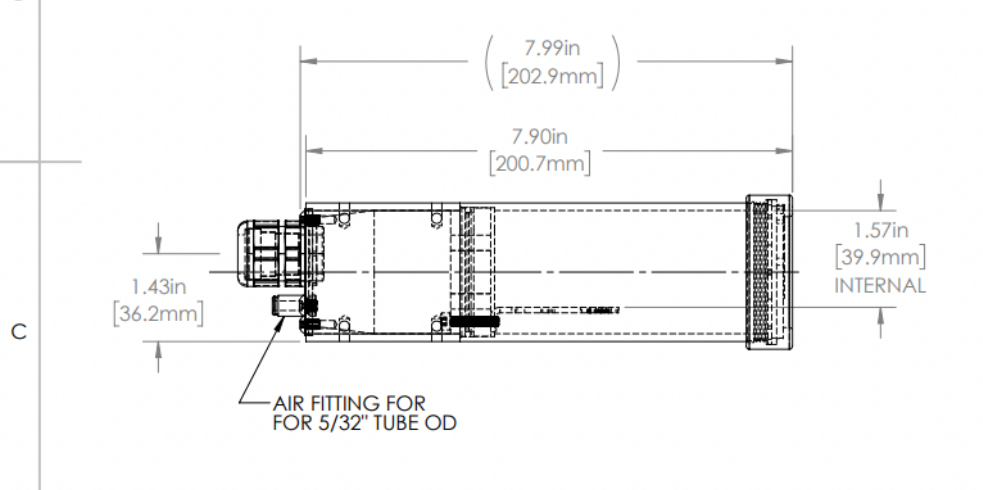
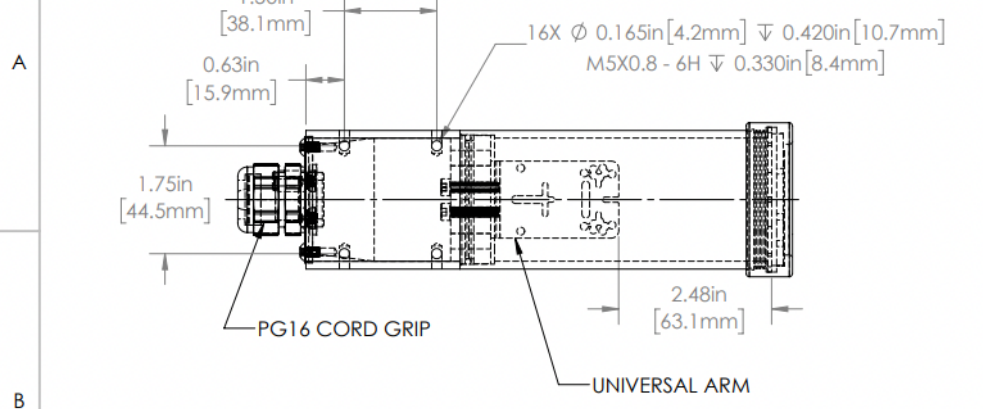


1 2 3 4 5 6

REVISIONS				
ZONE	REV.	DESCRIPTION	DATE	APPROVED
	A	RELEASED FOR PRODUCTION	12/13/2021	DMM



22C SERIES PROPERTIES TABLE		
ENVIRONMENT RATING	IP52*	
	(*RATING MAY CHANGE IF INSTALLER MILLS CABLE GLAND OUTSIDE OF TOLERANCE)	
COMPONENT	MATERIAL	FINISH
BODY/BASE/BARREL	6061 ALUMINUM	CLEAR HARDCOAT ANODIZED
VIEWPORT	CLEAR ACRYLIC	ABR2
GASKET	VITON/EPDM FOAM	NONE
ARM/ADAPTOR	304 SS	NONE
HARDWARE	18-8 SS	NONE



TOLERANCES UNLESS OTHERWISE SPECIFIED	
MACHINING	SHEET METAL
X.X 0.0250"	HOLE TO HOLE (SAME SURFACE) X.X 0.030"
X.XX 0.0100"	X.XX 0.010"
X.XXX 0.0050"	X.XXX 0.005"
X.XXXX 0.0005"	X.XXXX 0.0005"
ANGULAR 0.5°	HOLE TO FOLDED EDGE X.X 0.005"
DEBURR ALL	X.XX 0.025"
	X.XXX 0.015"
	EQU. TO FOLD X.X 0.045"
	X.XX 0.035"
	X.XXX 0.020"
	ANGULAR 1.0°

APG Vision LLC 4055 Alpha Drive Allison Park, PA 15101 USA Phone +1 (412) 487-8211 apgvision.com					
DESCRIPTION: 22C 5IN BARREL, ACRYLIC VIEWPORT, UNIVERSAL ARM					
MATERIAL: SEE BOM					
FINISH: SEE BOM	DRAWN BY: DMM	DATE: 12/13/2021	SCALE: 1:2	SHT-SIZE: B	APPROX WEIGHT (LBS) 1.27
	CHECKED BY: DMM	DATE: 12/13/2021	PART NUMBER: 22C-AS	REVISION: A	Sheet of 1

1 2 3 4 5 6